







**#13.008Z Set: Pocket sliding door lock  
with keyway and strike plate for 1 3/4" thick doors.  
55 mm backset; Chrome plated brass; Marine grade**







**#18.3448 pocket door lock for 1 1/2 inch ( 38 mm) thick doors.  
Marine grade Polished Chrome Brass and Stainless Steel.**



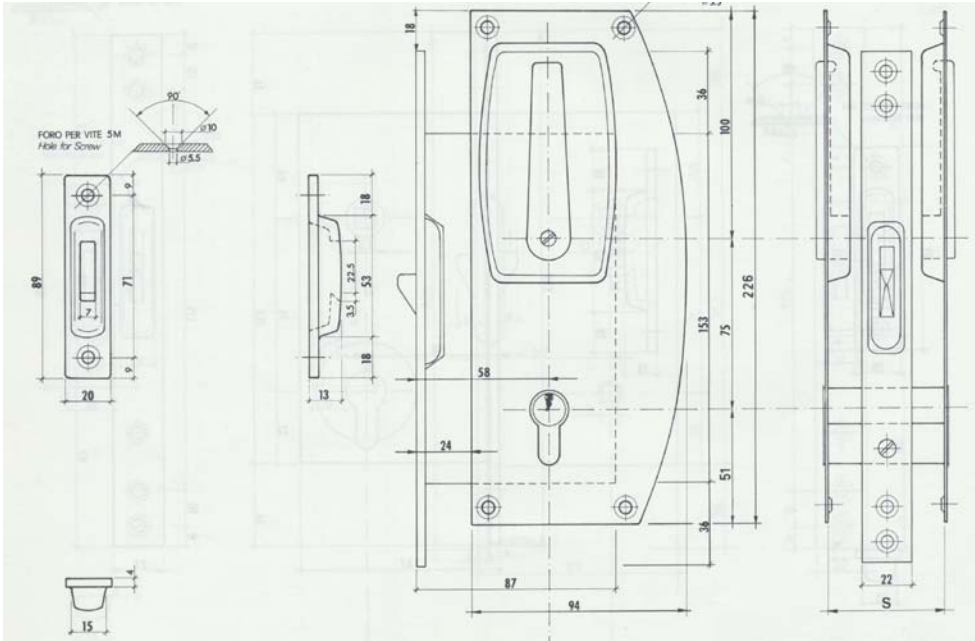
#18.3786 SET Entry Sliding door lock with Profile cylinder and strike box  
 Min. door thickness: 38 mm or 1 1/2 inch



#18.3838 Privacy Sliding Door lock with strike plate  
 min. door thickness: 25 mm



#18.3796 Passage Sliding door lock with strike plate  
 min. door thickness: 25 mm



#18.3786 Entry Lock set with Profile Cylinder keyway. 60 mm backset  
 S = Minimum door thickness is 32 mm or 1 1/2 inch.  
 S2 = Maximum door thickness for the standard keyway: 1 3/4 inch  
 For thicker doors please specify door thickness.  
 Stainless steel plates with brass parts.  
 Strike box brass chrome plated



Entry set #18.3448  
 With 2 skeleton keys  
 Minimum Door thickness  
 25 mm or 1 inch

**R & C SWINGING DOOR LOCKS  
 PLEASE CHECK WITH OUR OFFICE**



#18.3372 strike box for entry lock only



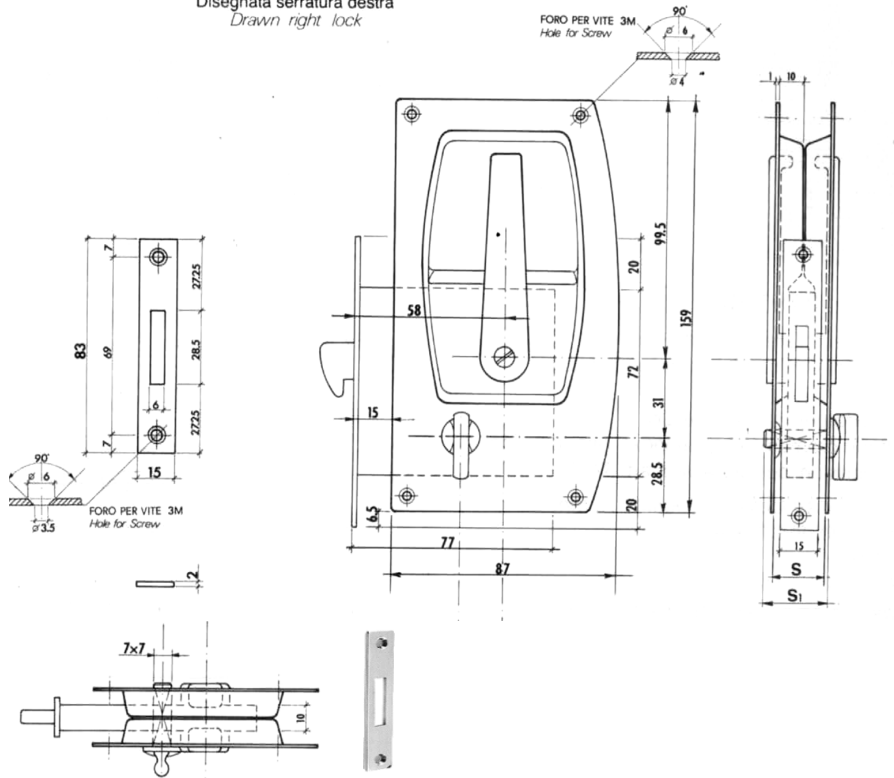
#18.3447 Strike plate for privacy lock #18.3838 and passage lock #18.3796



**R & C POCKET DOOR AND SLIDING DOOR LOCKS**



Disegnata serratura destra  
*Drawn right lock*



#18.3838 Privacy Sliding Door lock backset with strike plate **min. door thickness: 25 mm or 1 inch**  
**Backset 2 3/8 inch or 60 mm**

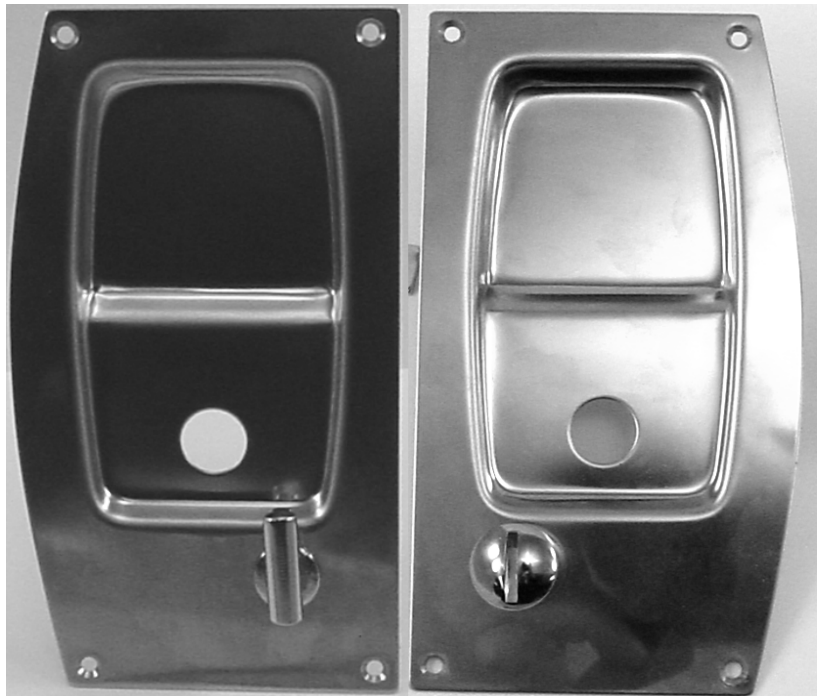
#18.3447 Strike plate separate for privacy lock #18.3838, passage lock #18.3796; and skeleton key lock #18.3448



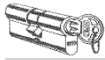
Sliding door lock separate: #18.9838  
Sliding door lock complete set: #18.3838



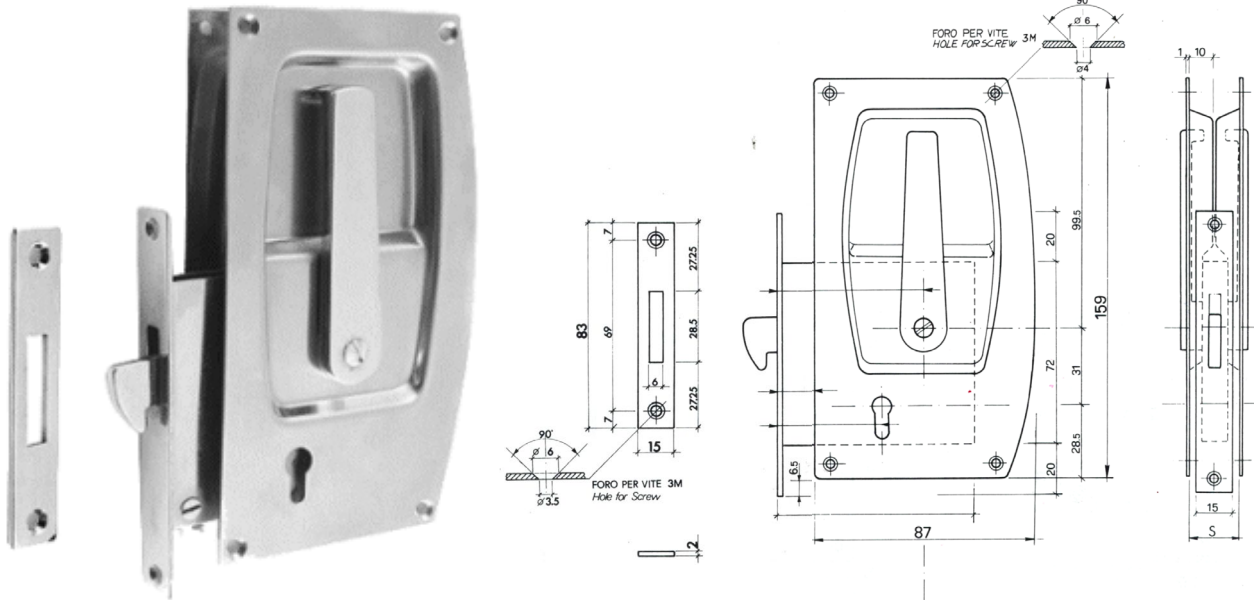
Levers #18.3828



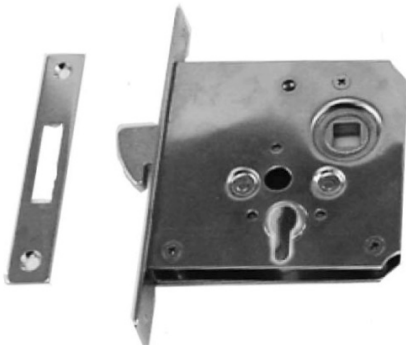
Showing thumb-turn (inside) and indicator/release (outside)  
With escutcheon plates



### Entry lock with Skeleton Keys. Min. door thickness: 25 mm or 1 inch



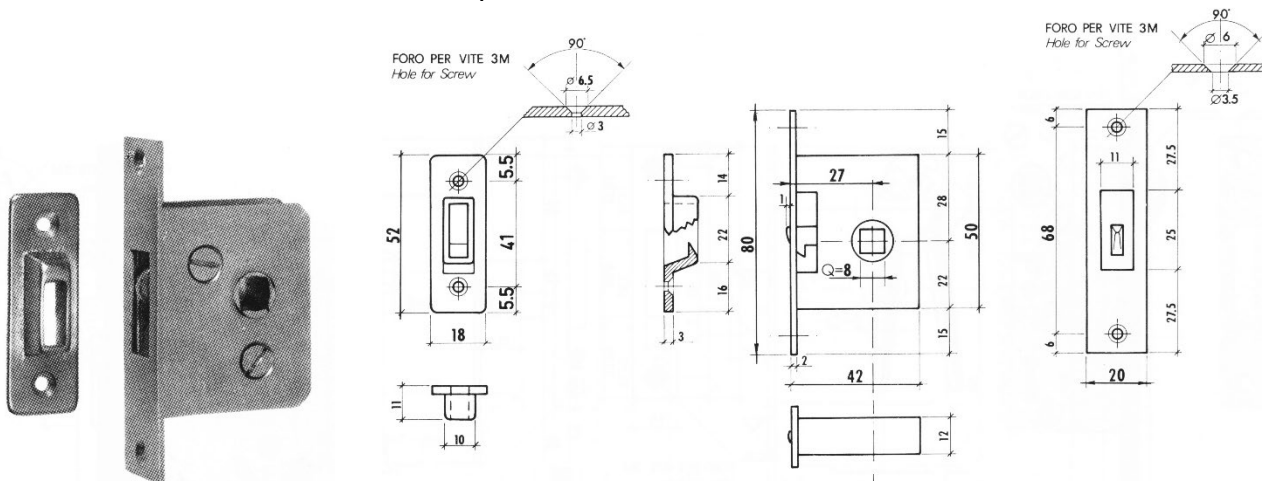
Entry set #18.3448 backset 60 mm or 2 3/8 inch  
With 2 skeleton keys  
Minimum Door thickness  
25 mm or 1 inch



#18. 9448 Sliding door lock with skeleton keys 60 mm backset / 2 3/8 inch  
Also available with 100 mm backset special order call our office



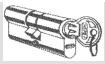
Levers #18.3828



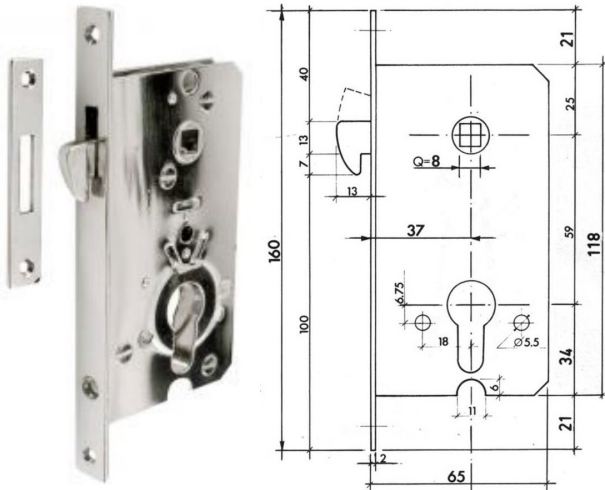
#13.C56, stainless steel sliding door latch with hook bolt and strike  
Backset: 27 mm. Faceplate: 80 x 20 mm Lock case: 50 x 42 mm  
Strike plate: 52 x 18 mm; brass chrome plated

MORE R & C SWINGING DOOR LOCKSET PAGE I-13-C-B:



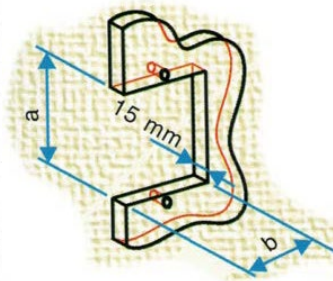
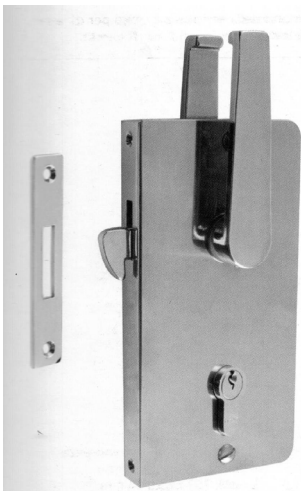


**R & C SWINGING DOOR LOCKS FOR SMALL DOORS MINIMUM DOOR THICKNESS 1 INCH**



#18.3487 Entry Sliding Door Lock for use with Profile Key Cylinder Entry Sliding Door Lock; 37 mm (1 1/2) backset. Face plate: 160 x 15 x 2 mm; Lock case: 118 high x 65 wide x 12 mm thick. Center to Center PC: 59 mm Marine grade; stainless steel and brass chrome plated parts.

#18.3797 Entry Lock Skeleton Key Privacy Lock #18.9750 Sliding Door Lock; 37 mm (1 1/2) backset. Face plate: 160 x 15 x 2 mm; Lock case: 118 high x 65 wide x 12 mm thick. Center to Center PC: 59 mm Marine grade; stainless steel and brass chrome plated parts.



18.348730 Pocket Entry SET complete for 5/8" thick doors with Profile cylinder Keyway function



18.379730 Pocket Entry SET complete for 5/8" thick doors with Skeleton Key function

Trim parts: Levers, Escutcheons



Levers #18.3828



3485 Levers 18.3485



3818 #18.3818



3819 #18.3819



3840 #18.3840





**#16.1786R Pocket door lock for 1 inch (25 mm) thick doors  
Marine Grade Chrome Plated Brass**

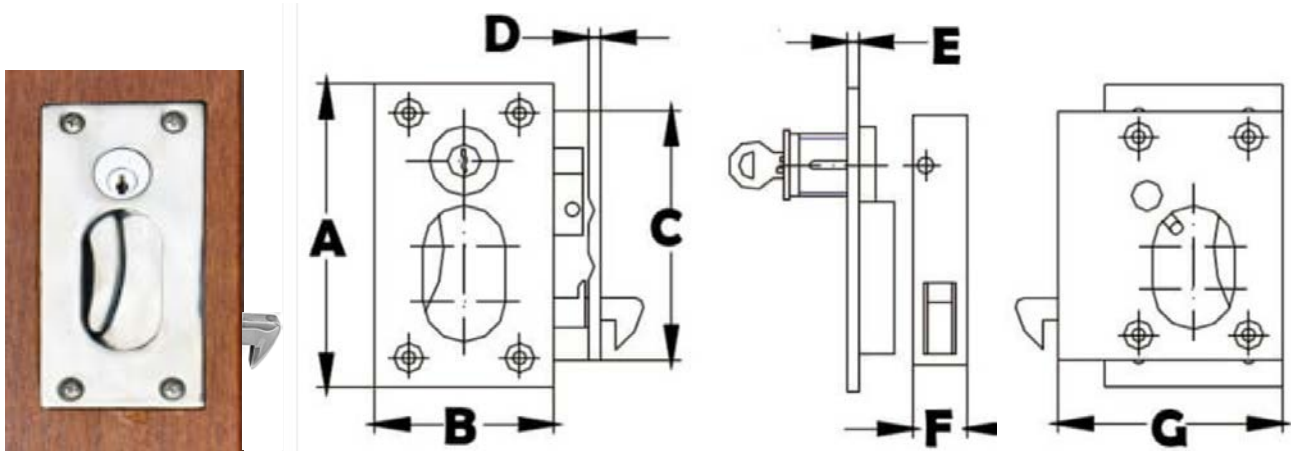


Outside US Left Hand with Key Lock  
#16.1786L Entry Pocket door lock Left Hand Outside Set  
#16.179L Passage Pocket door latch US left hand side

mm

Inside US Left Hand with release lever

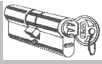
**Polished Stainless Steel Minimum Doorthickness: 1 1/4 inch or 32 mm**



Showing Left Hand Outside Locking #16.1786L Right hand: #16.1786R  
A) 5-1/16" B) 2-7/16" C) 4-3/8" D) 5/32" E) 1/8" F) 3/4" G) 3"



All Parts Showing



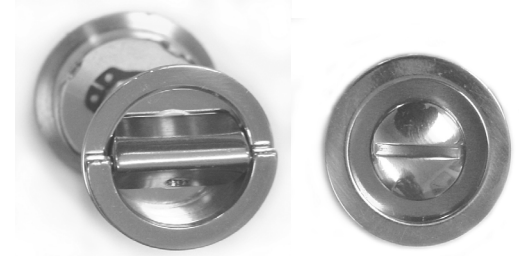
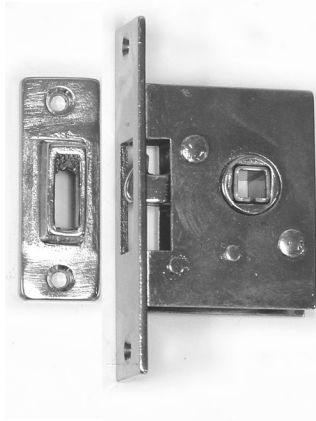
Izerwaren  
Order  
numbers

- Mortise lock, backset 26 mm 1"; strike included
- Pocket doors: Minimum door thickness using flush escutcheon plates on both sides: 32 mm ~ 1 1/4".
- Set with two levers: passage set
- Set with lever and indicator: privacy set
- Finish: polished chrome plated or polished brass lacquered;
- mechanism stainless steel

13.T32 **Small Flush ring lever on plate, flush**  
32 mm diameter. (1 1/4")

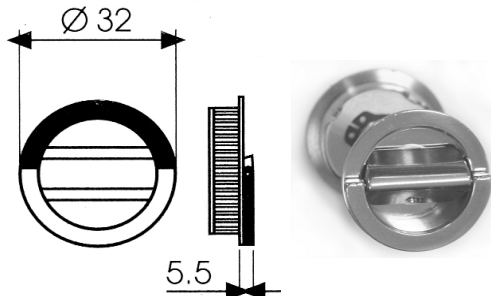
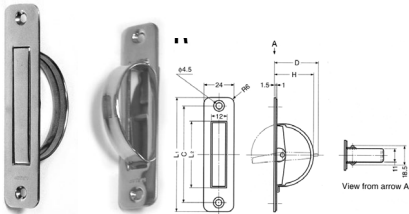
13.T321 **Small indicator on plate, flush**  
32 mm diameter. (1 1/4")

13.C56 **Sliding door latch mechanism**  
Spring loaded bolt  
Stainless steel  
Strike included



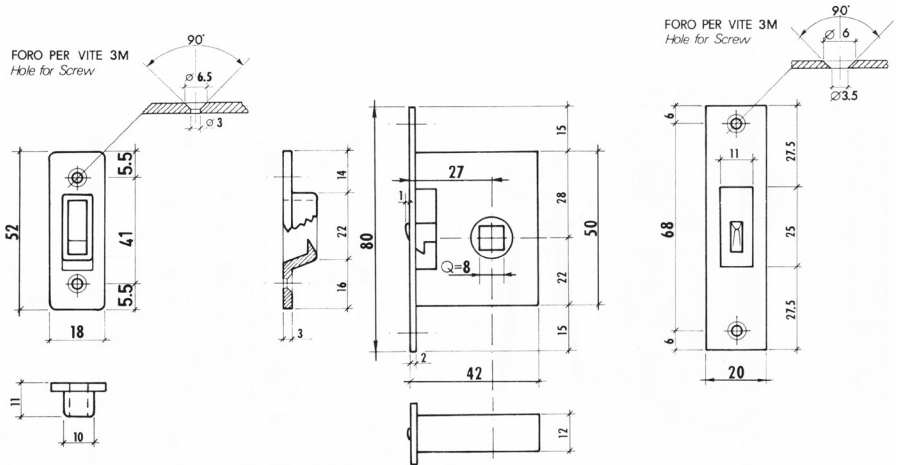
Shown: 13.C56 Pocket door latch set with Privacy Function.

13.209 #13.209; door edge pull, 25 mm diam., built in depth 25 mm material: brass



#13.T32; Small Flush ring lever with small indicator 32 mm diameter (1 1/4")

13.219 #13.219; 110 x 24 mm round corners; built in depth 30 mm; stainless steel

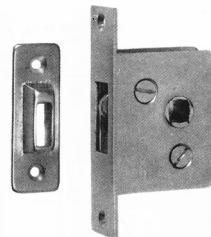


13.249 #13.249; 100 x 20 mm; built in depth 23 mm; stainless steel



#13.C56, stainless steel latch sliding door lock with hook bolt and strike  
Backset: 27 mm. Faceplate: 80 x 20 mm Lock case: 50 x 42 mm  
Strike plate: 52 x 18 mm; brass chrome plated

13.239 #13.239; 91 x 22 mm; built in depth 35 mm; stainless steel



#13.C56 - different size spindles available

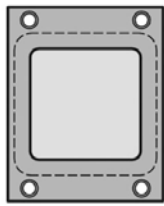
13.128 #13.128; 100 x 16 mm; built in depth 32 mm; brass



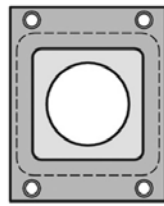
Pocket door locks for door thickness 1 3/8" and up



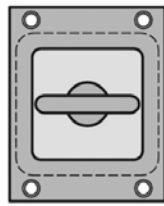
#13.FE2348T  
Size: Outside: 2 13/16" x 2 1/4" x 11/32"



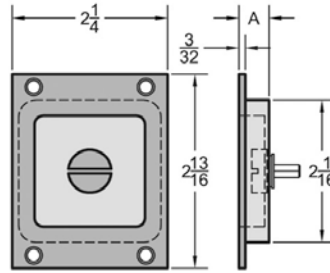
#13.FE2348B



#13.2348C



#13.FE2348T



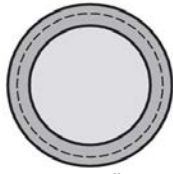
#13.FE2348E  
A = 11/32"



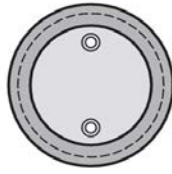
Trim set  
Flush square plate #13.SBT  
Mechanism+ edge pull #13.002  
Satin nickel



#13.R161T  
Size: Outside: 2 3/8" diameter. Drill Hole: 2 1/8"



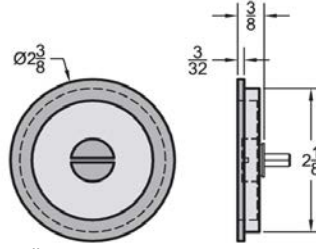
#13.R161B (pair)



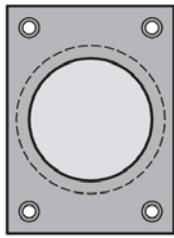
#13.R161T



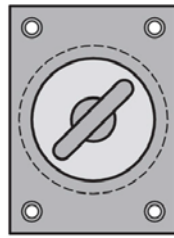
#13.R161E



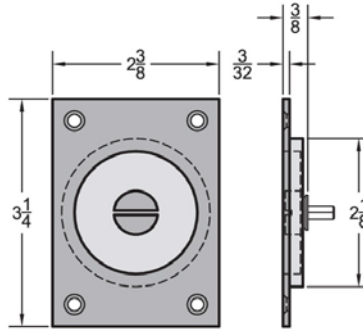
#13.S161T  
Size: Outside: 3 1/4" x 2 3/8". Drill Hole: 2 1/8"



#13.S161B (pair)



#13.S161T



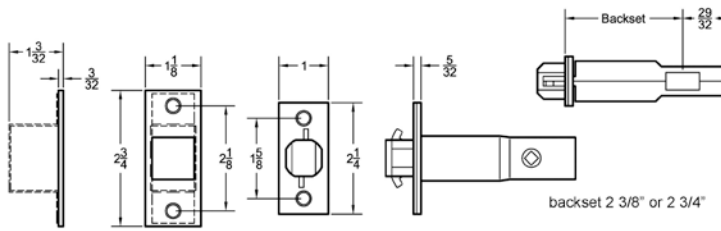
#13.S161E



Trim set  
Flush Round plate #13.161E  
Mechanism+ edge pull #13.002  
Satin nickel



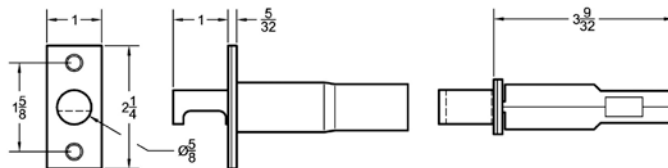
Hook Mechanism for pocket doors #13.161PDL  
Specify backset: 2 3/4" or 2 3/8" Specify finish.



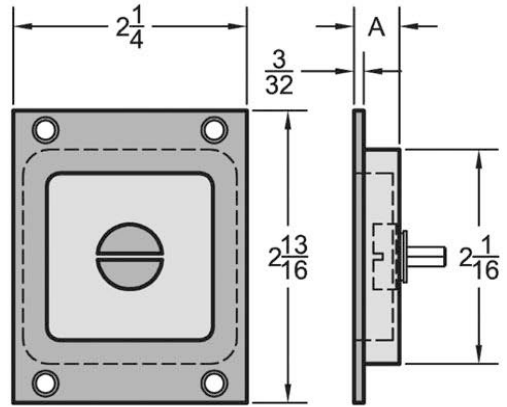
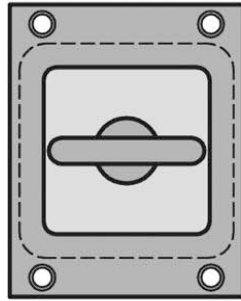
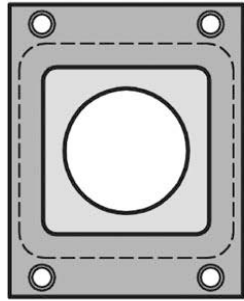
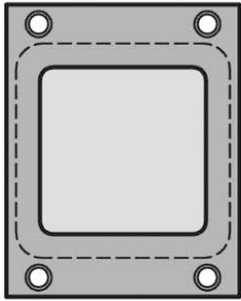
Trim set  
Flush Round plate #13.161E  
Mechanism #13.161PDL  
Satin brass



Edge pull Mechanism for pocket doors #13.161PDP  
Case: 1" diameter; Pull 5/8" diameter; spring loaded. Specify finish.



Trim set  
Flush Round plate #13.161T  
Mechanism #13.161PDL  
Satin brass



#13.FE2348B

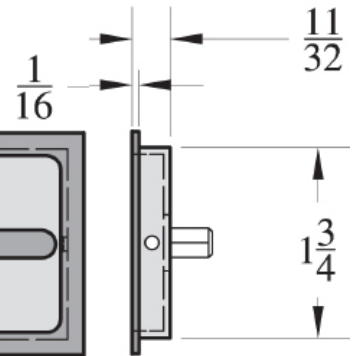
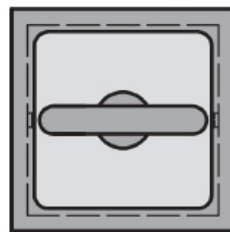
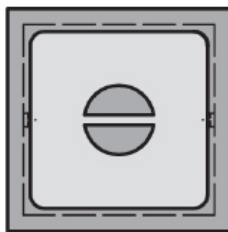
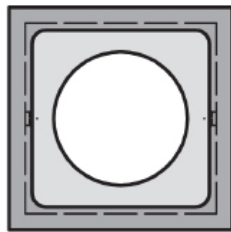
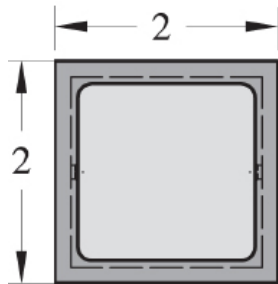
#13.2348C

13.FE2348T

#13.FE2348E  
A = 11/32"

Size: Outside: 2 13/16" x 2 1/4" x 11/32" Hole: 2 1/16" x 2 1/16"

TOTAL MATERIAL THICKNESS BLIND CUP: 7/16"  
BUILD IN DEPTH: 3/8"



#13.SBB

#13.SBC

#13.SBE

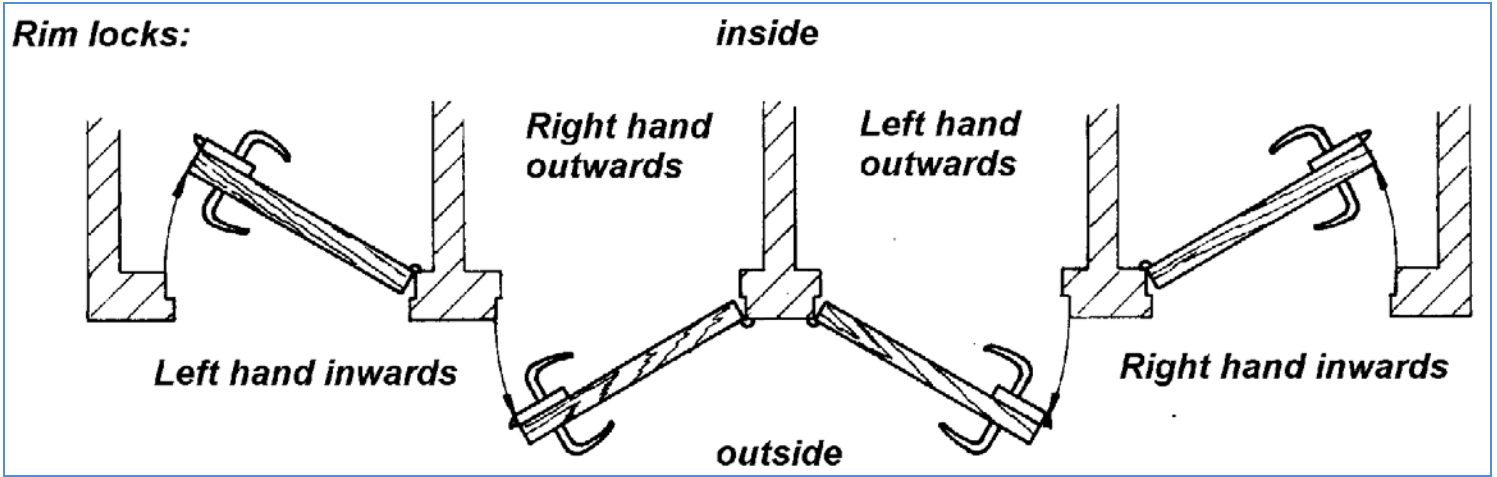
#13.SBT

TOTAL MATERIAL THICKNESS BLIND CUP: 7/16"  
BUILD IN DEPTH: 3/8"

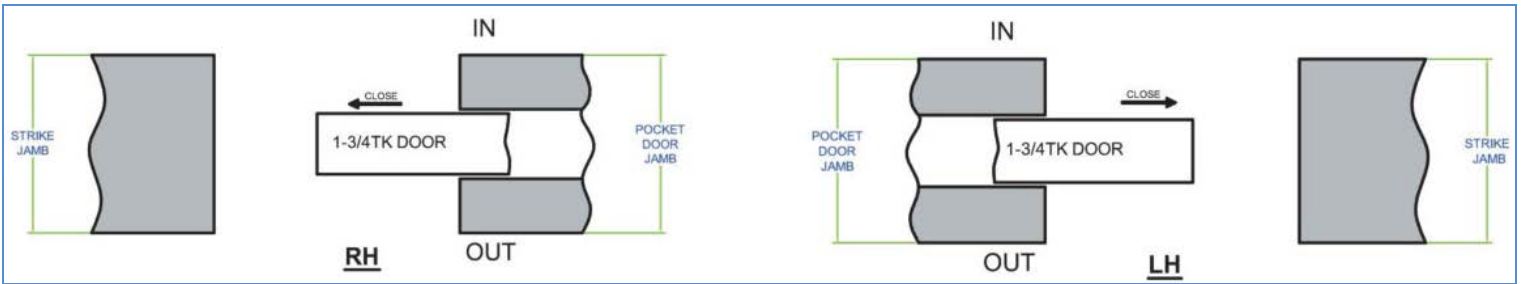




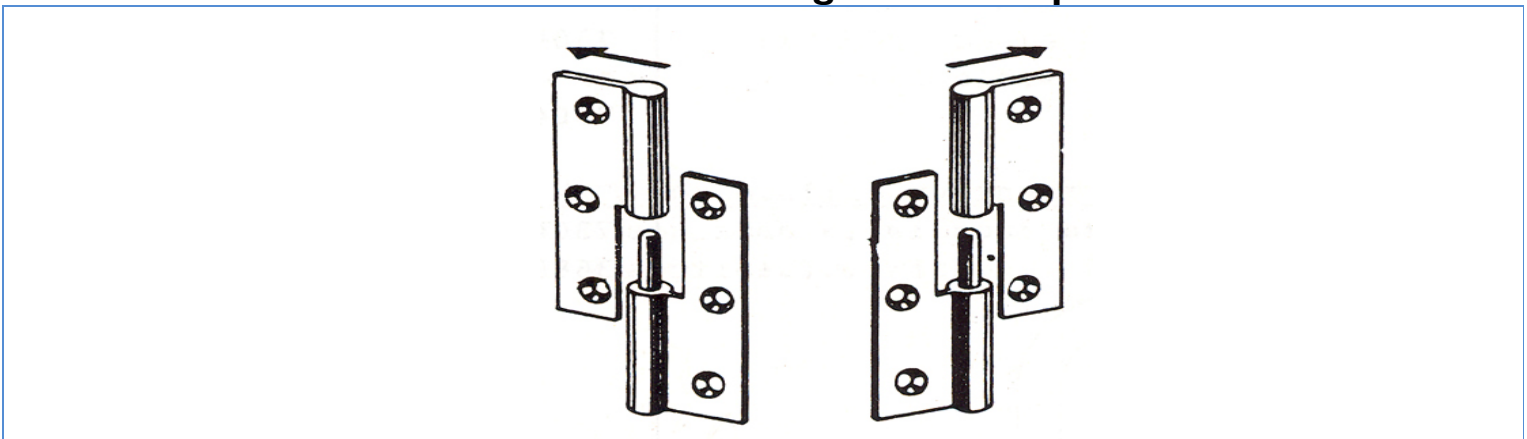
### HANDING OF RIM MOUNTED LOCKS EUROPEAN DIN STANDARD:




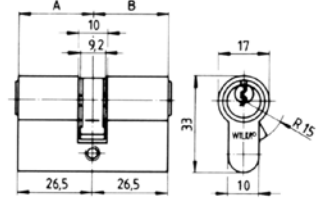


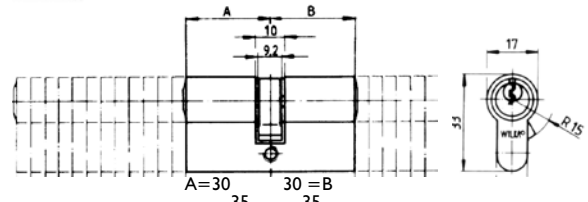

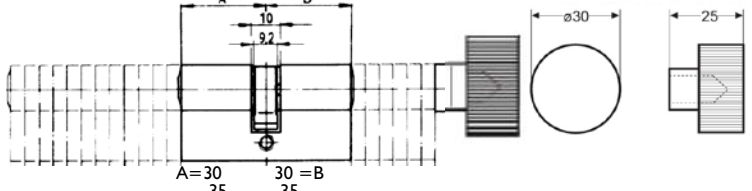


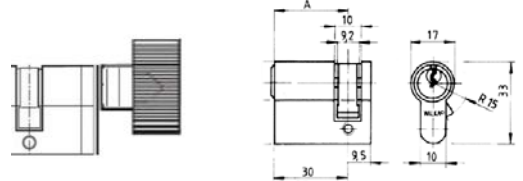






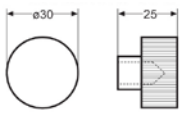

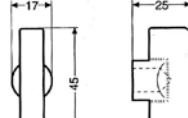



### HANDING OF POCKET DOORS US STANDARD:



### HANDING of LIFT OFF HINGES according to the European DIN Standard:

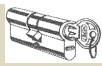




Order number		Material	Specifics	Finish
 Picture Profile Cylinder key/key Series #05.488 Small: 53 mm overall length				
05.488.566	key/key	Brass	A= 26.5 mm B= 26.5 mm key-key; satin chrome	
05.488.266	key/key	Brass	A= 26.5 mm B= 26.5 mm key-key; polished chrome	
05.407.566	key/knob	Brass	A= 26.5 mm B= 26.5 mm key-knob; satin chrome	
05.407.266	key/knob	Brass	A= 26.5 mm B= 26.5 mm key-knob; polished chrome	
 Picture Profile Cylinder key/key series #05.400 62 MM OVERAL LENGTH UP TO 182 MM OVERAL LENGTH WITH INCREMENTS OF 5 MM ALSO AVAILABLE ACYMETRIC		 Key blanks #05.150 nickel		
05.400.566	key/key	Brass	A= 30 mm B= 30 mm key-key; satin chrome	
05.400.266	key/key	Brass	A= 30 mm B= 30 mm key-key; polished chrome	
 Picture: Profile Cylinder key/knob Series #05.405 Specify Knob (knob depicted: #05.502 62 MM OVERAL LENGTH UP TO 182 MM OVERAL LENGTH NOT COUNTING THE KNOB WITH INCREMENTS OF 5 MM - ALSO ACYMETRIC				
05.405.566	key/knob	Brass	A= 30 mm B= 30 mm key-key; satin chrome	
05.405.266	key/knob	Brass	A= 30 mm B= 30 mm key-key; polished chrome	
 Half keyway #05.415 key/- UP TO 90 MM			 Half knob #05.416 knob/- special order	
05.415.566	Key/ - 30 - 0	Brass	A= 30 mm B= 0 mm key---; satin chrome	
05.415.266	Key/ - 30 - 0	Brass	A= 30 mm B= 0 mm key---; polished chrome	
05.416.566	Knob/ - 30 - 0	Brass	A= 30 mm B= 0 mm key---; satin chrome	
05.416.266	Knob/ - 30 - 0	Brass	A= 30 mm B= 0 mm key---; polished chrome	
 #05.502				
 #05.602				
 #05.762				
 #05.517				
 #09.P07				
 #09.P05				
 #05.502				
 #05.602				
 #05.762				
 #05.008				
 #13.J454				
 #13.J453				

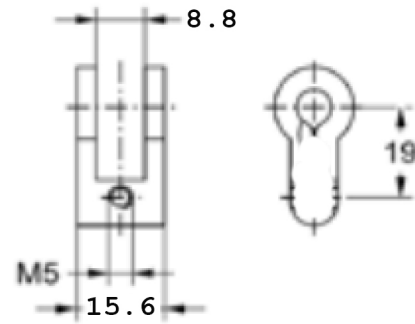


Profile cylinder, 60 mm, privacy (slotted bolt/knob) Profile cylinder, 60 mm, privacy (slotted bolt/key)		A= 30 mm slotted bolt    B= 30 mm key A= 30 mm slotted bolt    B= 30 mm knob	
05.489	Slotted bolt/key		
05.487	Slotted bolt/knob		
Escutcheon pair: #14.129.508 with 1 cylinder cover #05.599		#05.599                      #05.599I Profile cylinder covers, spring loaded.	
#05.599 Profile cylinder cover, spring loaded. 12 mm		#05.599I Profile cylinder cover, spring loaded. 17 mm	
05.599.608	PC cover 3 mm	Stainless steel	Overall sizes: 29 x 58 x 12 mm
05.599I.606	PC cover 8 mm	Stainless steel	Overall sizes: 29 x 58 x 17 mm
Round Cylinders for small locks and cabinet locks		#05.590 Round key nickel	Cabinet rim lock #21.73Z; 25 mm backset with keyway #05.522
05.522	round cylinder 22 mm	Brass/chrome	#21.73Z Cabinet rim lock with round cylinder see catalog page 2-1
05.525	round cylinder 25 mm	Brass/chrome	
05.530	round cylinder 30 mm	Brass/chrome	<i>See on line: lzerwaren.com: Door hardware / Cabinet door hardware / Details marine slam latches / page 2-1.</i>
05.535	round cylinder 35 mm	Brass/chrome	



Izerwaren  
Order  
numbers

Profile Key Cylinder  
replacement inserts  
to change the function  
from Entry to Privacy  
(bathroom function)

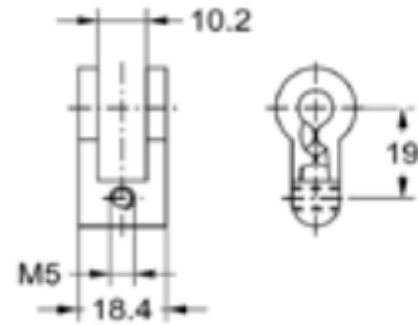


22.7000 Adapter for profile cylinder brass  
to thumb-turn / indicator  
with 7x7 mm spindle

#22.7000 Insert to replace profile cylinder key way with thumb-turn  
For privacy (toilet) set up with 7x7 mm spindle  
Brass casing with zinc follower



#14.73Z mortise lock  
with insert #22.7000.

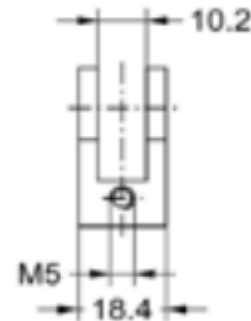


22.7423 Insert changes function to skeleton  
keyway

22.7423 Skeleton Key Insert replacing Profile Key Cylinder.  
Material: Zinc; interior grade



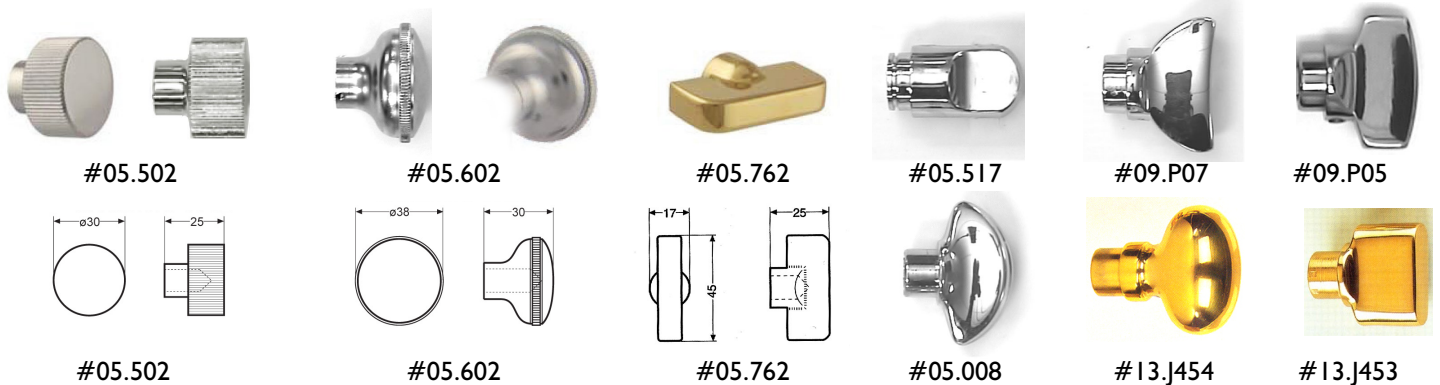
#13.31Z Stainless Steel Rim-lock  
with Thumb-turn  
See page 1-3-B for details



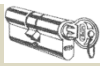
22.755 Adapter for Profile Cylinder  
To 6 x 6 mm spindle for  
Thumb-turn / indicator  
Stainless Steel  
For marine applications

22.755 Profile Cylinder insert convert from Entry to Privacy  
With 6 x 6 mm spindle for thumb turn / indicator.  
Stainless Steel. For marine applications

**Thumb-turn designs available:**



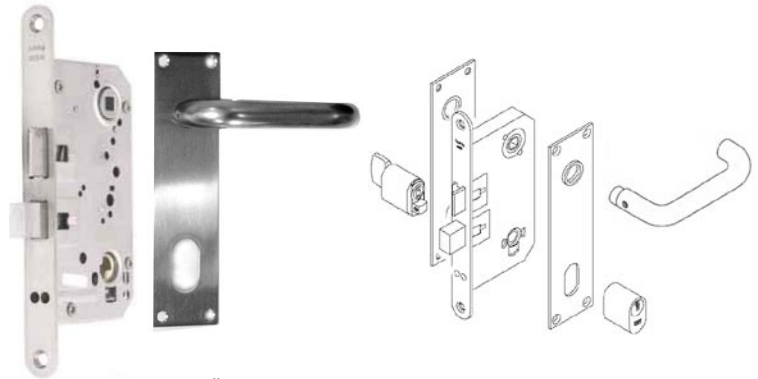




Izerwaren  
Order numbers

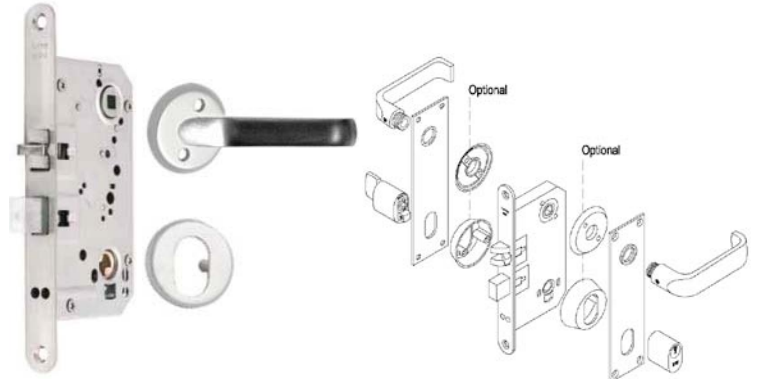
- Stainless Steel Heavy duty Mortise locks;
- Backset 55 mm
- Standard finish: Brushed stainless steel
- Option: Mirror Polished Stainless Steel Finish

- 11.SEET01 **Set:** Exterior lock with satin stainless levers and escutcheons  
 11.BEET01 **Set:** Exterior lock with satin chrome levers and escutcheons  
 11.312 Exterior Lock separate (Trioving 5312)  
 With key outside and thumb-turn inside  
 Heavy Duty; one piece latch-bolt,  
 for 8 x 8 mm square spindle



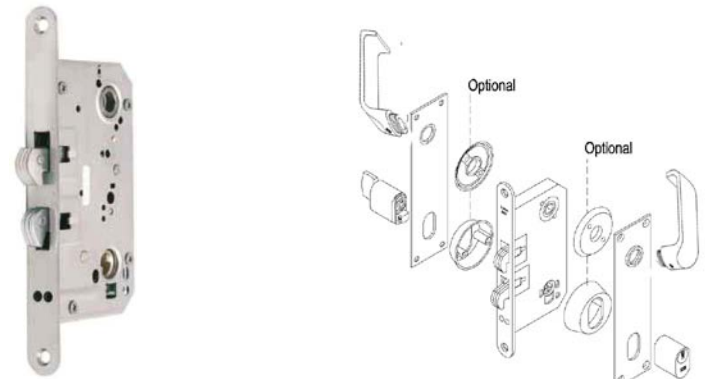
Exterior Entry lock Set: #11.SEET01 - Stainless Steel Levers and Escutcheons  
 Exterior Entry lock Set: #11.BEET01 - Chrome Levers and Escutcheons

- 11.BRET01 **Set:** Interior lock with satin chrome levers and escutcheons.  
 11.BRET02 **Set:** Interior lock with polished chrome levers and roses.  
 11.316 Interior Lock separate (Trioving 5316)  
 11.317 Interior Lock separate (Trioving Privacy 5317)  
 With key outside and thumb-turn inside  
 Medium duty; three piece latch-bolt,  
 for 8 x 8 mm square spindle



Interior lock Set: #11.BRET01 - Chrome Levers and Escutcheons  
 Interior lock Set: #11.BEET02 - Chrome Levers and Roses

- 11.BPRT01 **Set:** Interior passage lock with satin chrome levers and roses  
 11.BPET01 **Set:** Interior passage lock with satin chrome levers, escutcheons.  
 11.336 Interior passage latch separate (Trioving 5336)  
 Medium duty. Not depicted details: see page I-0-B
- 11.SDRT01 **Set:** Deadbolt lock with chrome levers and roses  
 11.SDET01 **Set:** Deadbolt lock with chrome levers, escutcheons  
 11.341 Deadbolt lock separate (Trioving 5341)  
 Deadbolt lock not depicted. Details: see page I-0-C



Exterior Sliding lock Set: #11.SPOCT07 - Stainless Steel Levers and Escutcheons  
 Exterior Sliding lock Set: #11.BPOCT07 - Chrome Levers and Escutcheons  
 Exterior Sliding lock Set: #11.BPORT07 - Chrome Levers and Roses

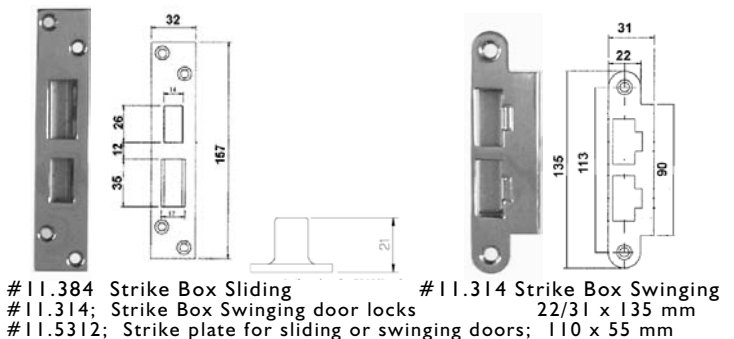
- 11.SSET01 **Set:** Exterior sliding lock with stainless levers, escutcheons  
 11.BSET01 **Set:** Exterior sliding lock with chrome levers, escutcheons  
 11.BSRT01 **Set:** Exterior sliding lock with chrome levers and roses  
 11.382 Sliding Lock separate (Trioving 5382)  
 Heavy Duty, Double hook bolt, for exterior and  
 interior doors. For 8 x 8 mm square spindle



11.5312 Extra wide strike plate for entry locks  
 110 x 55 mm

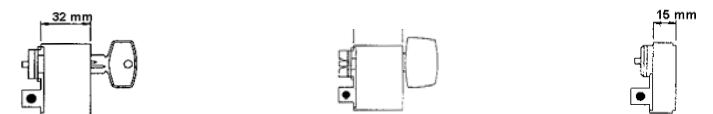
11.384 Strike Box for sliding door lock, stainless steel  
 Size: 157 X 32 x 21 mm

11.314 Strike Box for swinging door lock, stainless steel  
 Size: 135 x 22 + 9 mm



#11.384 Strike Box Sliding #11.314 Strike Box Swinging  
 #11.314; Strike Box Swinging door locks 22/31 x 135 mm  
 #11.5312; Strike plate for sliding or swinging doors; 110 x 55 mm

- 11.520 Oval Cylinder (half) with key. Body: 32 mm  
 11.544 Oval Cylinder (half) with knob. Body: 32 mm  
 11.508 Keys, nickel silver; special keying available  
 11.555 Extensions for cylinder or thumb-turn 15 mm, brass



Keyed Oval Cylinder #11.520 Thumb-turn #11.544 Extensions #11.555

FOR DETAILS TRIOVING TRIM SETS SEE PAGE I-1-0



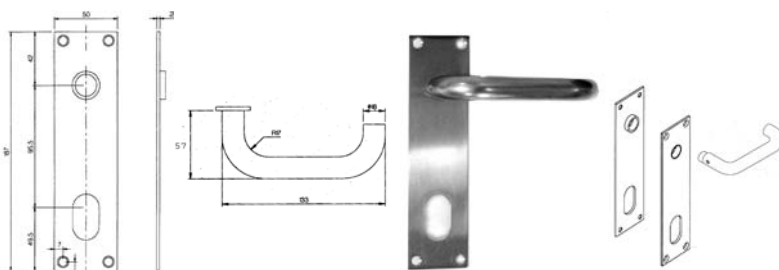


IZERWAREN  
Order  
numbers

- Trioving Standard Trim for Mortise Locks
- For Trioving locks see page I-1
- For UPGRADE to YACHT trim see page I-2

11.605 **Stainless Steel Lever Handle**, (Trioving 8605)  
U shape model 133 x 57 mm  
for 8 x 8 mm square spindle

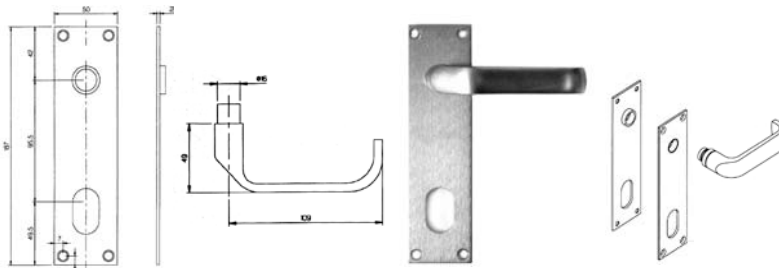
11.653 **Stainless Steel Escutcheon plate** (Trioving 8660)  
rectangular 187 x 50 x 2 mm  
Finish: Polished or Satin Stainless Steel



Stainless steel trim set: Escutcheon #11.653 & Lever #11.605  
Escutcheon: 187 x 50 x 2 mm; Lever: 57 x 133 mm

11.363 **Chrome Plated Lever Handle** (Trioving 7364)  
Standard model 109 x 49 mm  
for 8 x 8 mm square spindle

11.715 **Chrome Escutcheon Plate** (Trioving 7715)  
rectangular 187 x 50 x 2 mm  
Finish: Polished or Satin Chrome



Chrome plated trim set: Escutcheon #11.363 & Lever 11.363.  
Escutcheon: 187 x 50 x 2 mm; Lever 49 x 109 mm



11.695 **Spacer Plate** #11.695 for escutcheon plate  
black plastic



11.5967 **Cylinder coat; black plastic, 10 mm.**  
11.5968 **Cylinder coat; black plastic, 6 mm.**

11.509 **Chrome plated rose for lever**(Trioving 7509)  
Diameter 54 mm, 6 mm thick

11.962 **Chrome plated roses for cylinder** (Trioving 5966)  
Diameter 54 mm: different thickness:  
6 mm thick  
9 mm thick  
12 mm thick - please specify thickness



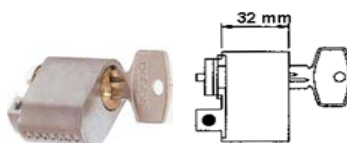
Chrome plated trim set: Rose #7509 & Lever 5316  
Rose: 54 mm diameter, Lever 49 x 109 mm



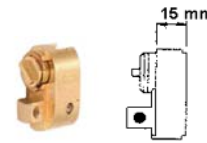
Key way rose, pair #5962, 54 mm diameter; specify thickness rose

11.520 **Oval Cylinder** (half) with key. Body: 32 mm

11.555 **Extensions** for cylinder or thumb-turn 15 mm, brass



Oval Cylinder key way #11.520



Extensions 15 mm #11.555

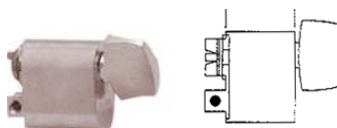
11.544 **Oval Cylinder** (half) with knob. Body:-32 mm

11.555 **Extensions** for cylinder or thumb-turn 15 mm,

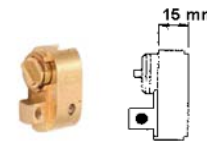
11.508 **Keys**, nickel silver; special keying available

11.200 **Spindles, 8 x 8 mm different lengths**

11.H07 **Through bolts** Trioving, set of 2 bolts and 2 nuts



Keyed Thumb-turn #11.544

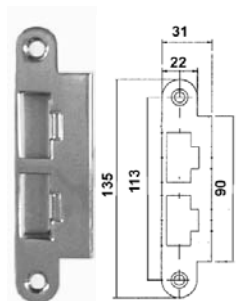


Extensions 15 mm #11.555

11.314 **Strike Box** for swinging door lock, stainless steel  
Size: 135 x 22 + 9 mm

11.5312 **Extra wide Strike Plate** for entry locks  
Size: 110 x 55 mm

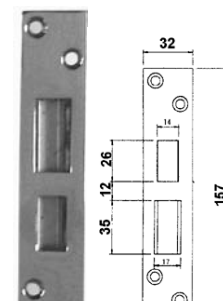
11.384 **Strike Box** for sliding door lock, stainless steel  
Size: 157 X 32 x 21 mm



Strike Plate #11.314  
136 x 38 mm



#11.5312  
110 x 55 mm

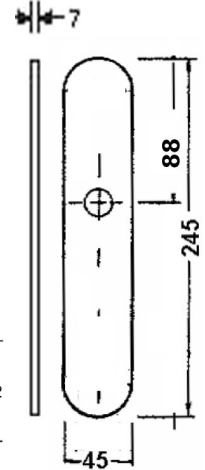
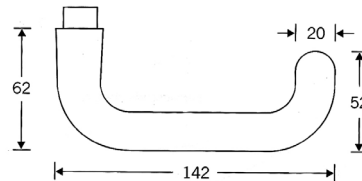
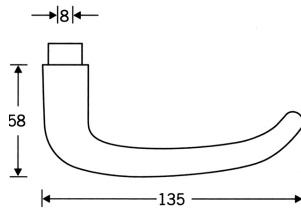


#11.384  
167 x 32 mm

**UPGRADE TO YACHT TRIM: SEE PAGE I-1-I**



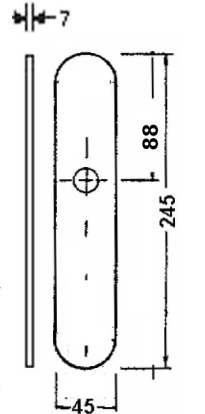
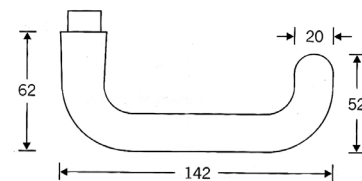
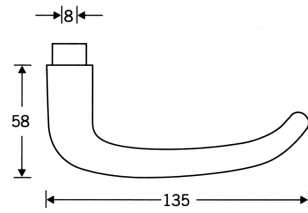
Trioving Marine Locks with IZERWAREN **UPGRADE** to Mirror Polished Stainless Steel Exterior Yacht Doors.  
55 mm backset - Suitable for aluminum, wood, fiberglass and steel swinging doors.



- # 11.SEFT.011 Complete set with lock, strike and key/thumb-turn
- # 11.SEFT.011 Complete set with lock, strike and key/thumb-turn
- # 11.SEFT.021 Complete set with lock, strike and key/thumb-turn
- # 11.SEFT.021 Complete set with lock, strike and key/thumb-turn

- Lever #12.527 Polished Stainless Steel
- Lever #12.527 Satin Stainless Steel
- Lever #12.045 Polished Stainless Steel
- Lever #12.045 Satin Stainless Steel

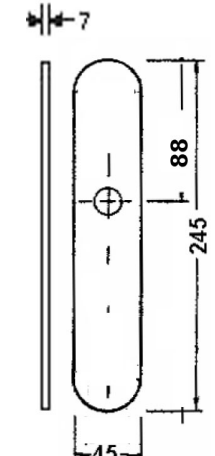
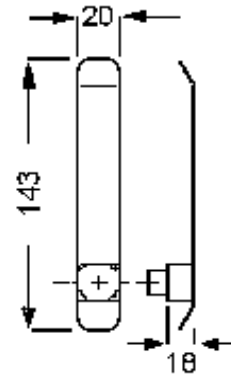
- Escutcheon #12.222
- Escutcheon #12.222
- Escutcheon #12.222
- Escutcheon #12.222



- # 11.SEFT.017 Complete Sliding door lock, strike and key/thumb-turn
- # 11.SEFT.017 Complete Sliding door lock, strike and key/thumb-turn
- # 11.SEFT.027 Complete Sliding door lock, strike and key/thumb-turn
- # 11.SEFT.027 Complete Sliding door lock, strike and key/thumb-turn

- Lever #12.527 Polished Stainless Steel
- Lever #12.527 Satin Stainless Steel
- Lever #12.045 Polished Stainless Steel
- Lever #12.045 Satin Stainless Steel

- Escutcheon #12.222
- Escutcheon #12.222
- Escutcheon #12.222
- Escutcheon #12.222



- # 11.SEFT.037 Complete sliding door lock, strike and key/thumb-turn
- # 11.SEFT.038 Complete sliding door lock, strike and key/thumb-turn

- Lever #12.53F Polished Stainless Steel
- Lever #12.53F Satin Stainless Steel

- Escutcheon #12.222
- Escutcheon #12.222

All sets include: 1x keyway  with 2 keys and 1x thumb-turn 

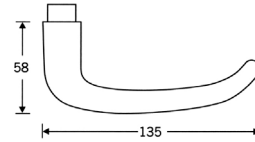
(optional: Change to 2 keyways). Specify door thickness and handing when ordering.



**Stainless steel levers for full size mortise marine locks Finish: satin or mirror polished stainless steel**

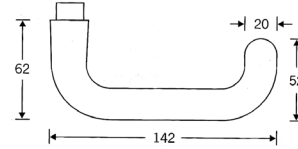
Izerwaren  
Order  
Numbers

12.527 Lever Classic; 135 mm long



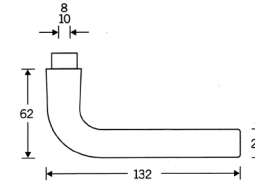
Lever Classic # 12.527; 135 mm long; stands off 58 mm  
Rose #12.110; 55 mm diameter

12.045 Lever U shape; 131 mm long



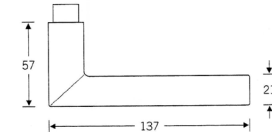
Lever #12.045; 142 mm long; stands off 64 mm; 20 mm diameter

12.547 Lever L shape; 132 mm long  
Round corner



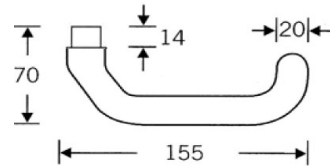
Lever #12.547; 132 mm long; stands off 64 mm; 20 mm diameter

12.576 Lever L shape; 132 mm long  
Square corner



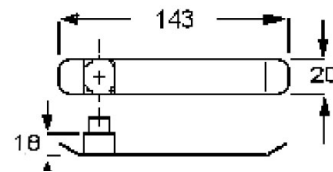
Lever #12.576; 137 mm long; stands off 57 mm; 20 mm diameter

12.021 Lever Cropped; 155 mm long



Lever #12.021; 155 mm long; stands off 56 mm; 20 mm diameter

12.53F Lever Semi Flush; 143 mm long



Lever #12.53F; 143 mm long; stands off 25 mm with standard plate; 20 mm wide

12.555 Lever Semi Flush; 120 mm long



Lever #12.555; 120 mm long; stands off 25 mm; 20 mm wide; Rounded front

12.329SF #12.329SF Thumb-turn 30 x 10 mm  
On rose #12.1005 flat  
Details on roses and escutcheons  
See page 1-2.



Lever #12.5SF; 95 mm long; stands off 25 mm with standard plate; 20 mm wide  
Use Lever Handles with Roses or Escutcheon Plates; See page 1-2 for details

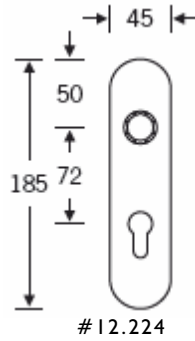
12.5SF Lever Semi Flush; 95 mm long



Izerwaren  
Order  
numbers

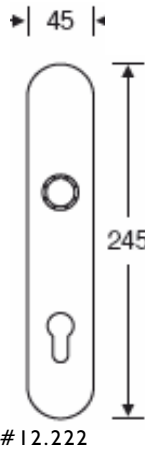
- Stainless Steel Escutcheons for marine locks
- Specify Finish:
- Satin stainless steel
- Mirror Polished stainless steel

12.224 **Stainless steel escutcheon plate**  
with radius, 185 x 45 x 7 mm  
Clip on style with inner escutcheon  
Screws invisible



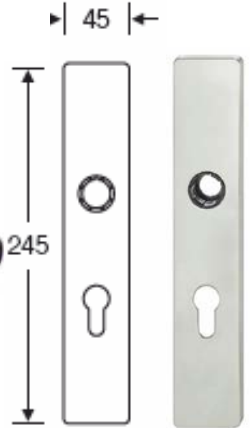
Escutcheon #12.224 45 x 185 mm  
Clip on style with inner plate  
stainless steel

12.222 **Stainless steel escutcheon plate**  
radius, 245 x 45 x 9 mm  
Clip on style with inner escutcheon  
Screws invisible



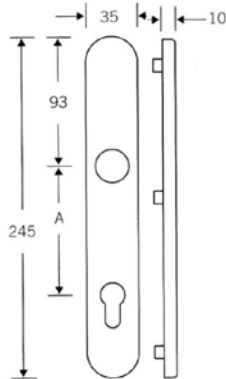
#12.222 round  
Stainless steel escutcheon clip on with inner plate  
Lever shown: #12.527 with Trioving keyway

12.1410 **Stainless steel escutcheon plate**  
square, 245 x 45 x 9 mm  
Clip on style with inner escutcheon  
Screws invisible



#12.1410 square

12.416 **Stainless steel escutcheon plate**  
with square corners, 245 x 35 x 10 mm  
Screws visible  
For Narrow Style Doors.  
See pages 1-9-1 and 1-14- and 1-14-A  
Cropped lever 12.021: See page 1-1-2



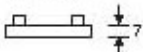
#12.416 escutcheon square corners  
#12.417 escutcheon round corners  
#12.021 levers, cropped; see page 1-1-2

12.417 **Stainless steel escutcheon plate**  
with radius, 245 x 35 x 10 mm  
Screws visible  
For Narrow Style Doors.  
See pages 1-9-1 and 1-14- and 1-14-A  
Cropped lever 12.021: See page 1-1-2

#12.417



12.110FS Flat stainless steel outer & inner rose and bearing



Lever Rose For Fire Rated Doors



#12.110F Rose for levers 55 mm Ø flat; nylon inner rose



#12.111ZF Rose for Profile Cylinder; 55 mm Ø flat



#12.507 Oval Rose for lever 66.5 x 29.5 mm



#12.517 Oval Rose; for Profile Cylinder 66.5 mm x 29.5 mm



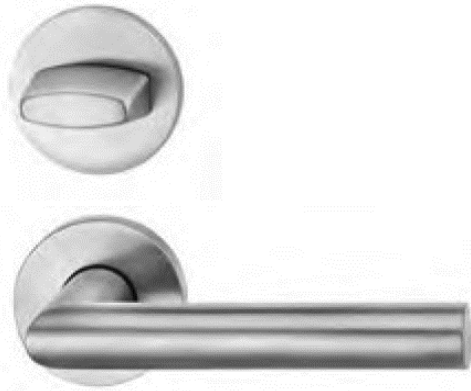
#12.111T Rose for Oval Cylinder; 55 mm Ø flat



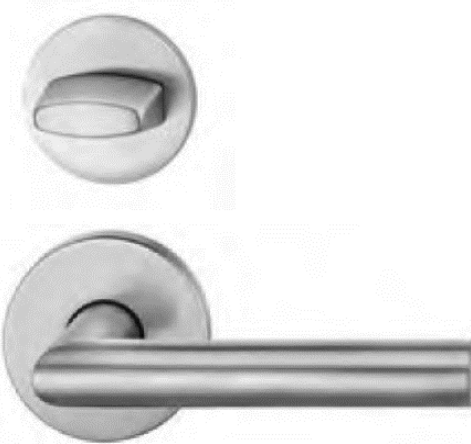
#13.329SF: Thumb-turn 30 x 10 mm with flat rose



**MARINE GRADE STAINLESS STEEL RIM SETS SEE CHAPTR ONE FOR DETAILS**



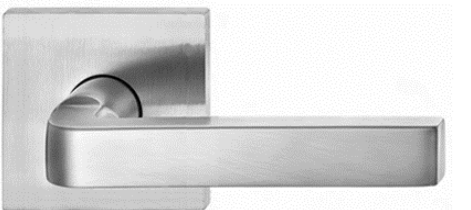
Rose #12.1110F Lever #12.576  
Thumb-turn set #12.1735



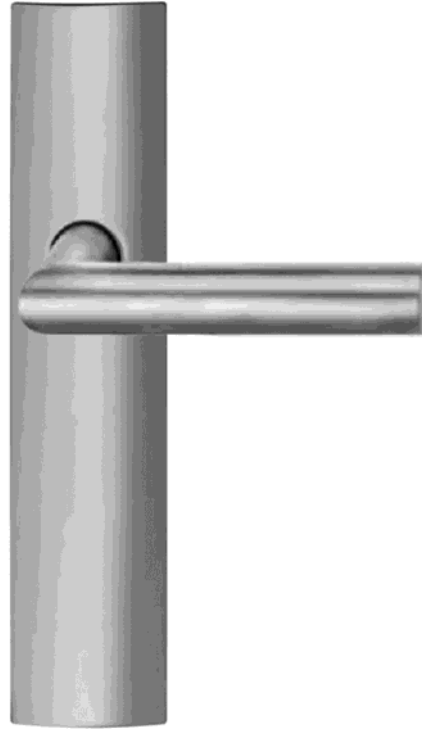
Rose 12.1798 Lever #12.567  
Thumb-turn set #12.1735



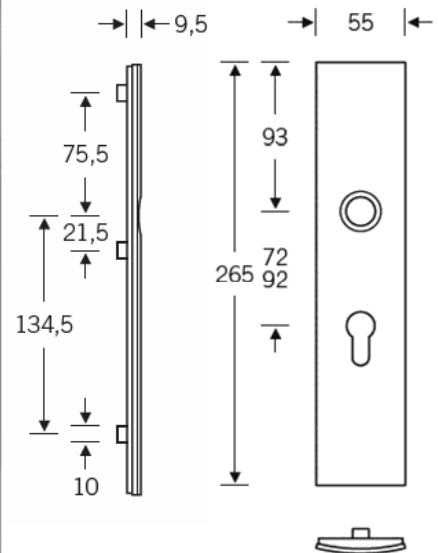
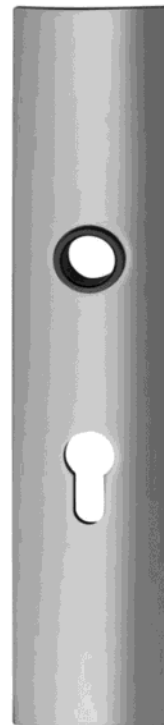
Rose 12.1703 Lever #12.1004



Rose 12.1705 Lever #12.1004



Escutcheon #12.1433 Convex Stainless Steel  
Size 265 x 55 mm (10 1/2" X 2 3/16")  
Lever #12.576



**See Catalog Chapter I Page for details  
Satin and Mirror Polished Finish**



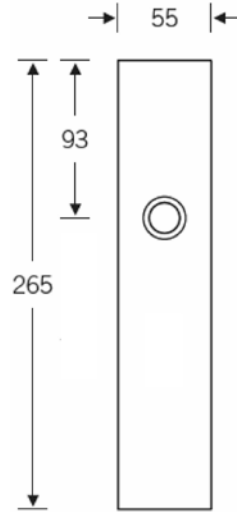


Izerwaren  
Order  
numbers

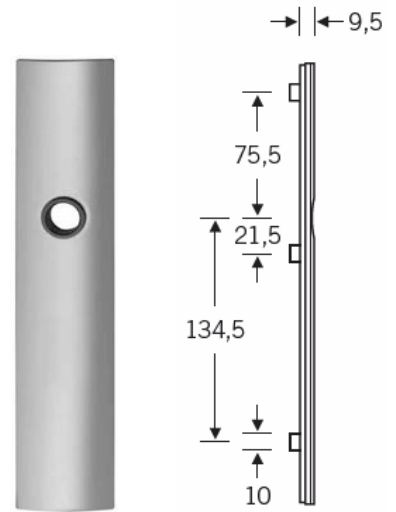
- Stainless Steel Escutcheons for marine locks
- Specify Finish:
- Satin stainless steel
- Mirror Polished stainless steel

12.1433F **Stainless steel escutcheon plate**

Passage model  
Square corners, 265 x 55 x 9.5 mm  
Clip on style with inner escutcheon  
Screws invisible



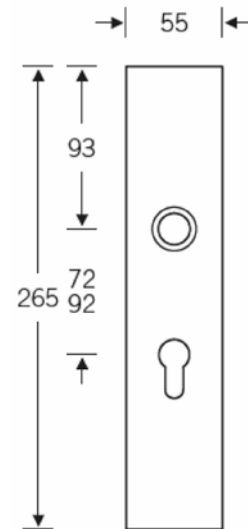
# 12.1433F



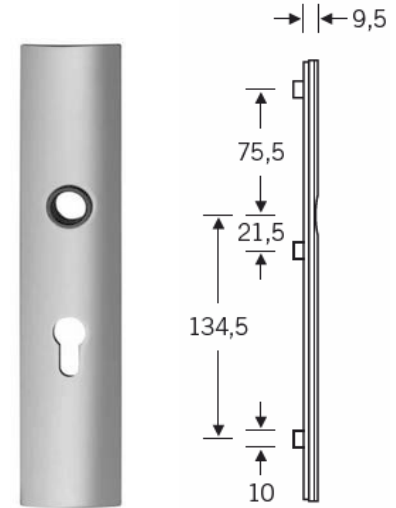
Clip on escutcheon # 12.1433F with inner plate  
Square corners, 265 x 55 x 9.5 mm  
10 1/2 x 2 3/16 x 3/8 inch  
Stainless steel  
Renovation Style

12.1433Z **Stainless steel escutcheon plate**

Entry Model  
Square corners, 265 x 55 x 9.5 mm  
Clip on style with inner escutcheon  
Screws invisible



# 12.1433Z

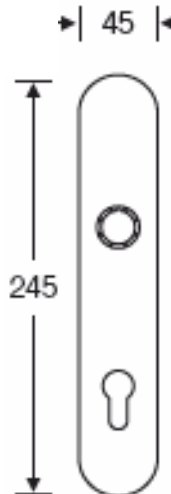


Clip on escutcheon # 12.1433Z with inner plate  
Square corners, 265 x 55 x 9.5 mm  
10 1/2 x 2 3/16 x 3/8 inch  
Stainless steel; Renovation Style

12.1433W **Stainless steel escutcheon plate**

Privacy Model (not shown)  
Square corners, 265 x 55 x 9.5 mm  
Clip on style with inner escutcheon  
Screws invisible

12.222 **Stainless steel escutcheon plate**  
with round corners, 245 x 45 x 10 mm  
Screws invisible



# 12.222



#12.222 round #12.1410 square  
Stainless steel with clip with inner plate

12.1410 **Stainless steel escutcheon plate**  
with square corners, 245 x 45 x 10 mm  
Screws invisible

**For Narrow Style Doors:**  
See pages I-9-I and I-14- and I-14-A  
Cropped lever 12.021: See page I-1-2

**All Lever Models: Page I-2**



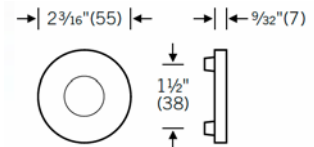
Order numbers

- Stainless Steel Roses for marine locks
- Specify Finish:
- Satin stainless steel or
- Mirror Polished stainless steel

12.1110F **Stainless steel rose,**  
55 mm diameter or 2 3/16 inch  
Clip on style with inner rose  
For Levers. Screws invisible



#12.1110F Round Rose flat  
55 mm diameter

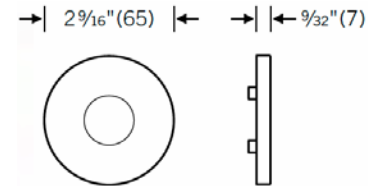


Stainless steel rose round,  
55 mm or 2 3/16 inch diameter  
Clip on style with inner rose  
Screws invisible

12.1798 **Stainless steel rose, pair**  
65 mm diameter or 2 9/16 inch  
Clip on style with inner rose  
For Levers. Screws invisible



#12.1798 Round Rose flat  
65 mm diameter

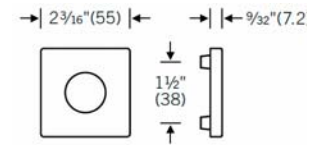


Stainless steel rose round,  
55 mm or 2 9/16 inch diameter  
Clip on style with inner rose  
Screws invisible

12.1703 **Stainless steel rose square,**  
55 x 55 mm or 2 3/16 inch  
Clip on style with inner rose  
For Levers. Screws invisible



#12.1703 Square rose flat  
55 x 55 mm

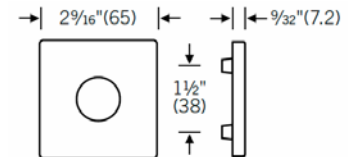


Stainless steel rose square, pair  
55 x 55 mm or 2 9/16 inch  
Clip on style with inner rose  
Screws invisible

12.1705 **Stainless steel rose square,**  
65 x 65 mm or 2 9/16 inch  
Clip on style with inner rose  
For Levers. Screws invisible



#12.1705 Square rose flat  
65 x 65 mm

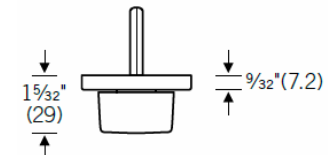


Stainless steel rose square, pair  
65 x 65 mm or 2 9/16 inch  
Clip on style with inner rose  
Screws invisible

12.1735 **Stainless steel Privacy set,**  
Thumb-turn with indicator with  
55 mm or 2 3/16 inch diameter roses  
Clip on style with inner rose  
Screws invisible  
12 1735 10054



#12.1735 Privacy set  
Thumb-turn + indicator  
With round roses flat 55 mm

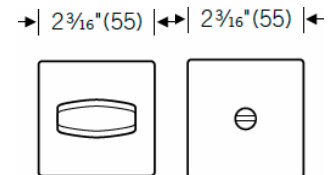


Privacy thumb-turn and indicator  
With round roses 55 mm diam.

12.1736 **Stainless steel Privacy set,**  
Thumb-turn with indicator with  
55 x 55 mm or 2 3/16 x 2 3/16 inch square  
roses; Clip on style with inner rose  
Screws invisible  
12 1704 0054



#12.1736 Privacy set  
Thumb-turn + indicator  
With square roses flat 55 x 55 mm

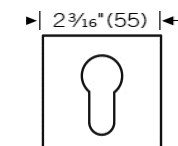


#12.1736 Privacy set  
With square roses flat 55 x 55 mm

12.1704 **Stainless steel Key rose,**  
55 x 55 mm or 2 3/16 x 2 3/16 inch square  
roses for profile cylinder;  
Clip on style with inner rose  
Screws invisible  
17 1703 00210



#12.1704 Key rose square flat  
55 x 55 mm



#12.1704 Key rose square flat  
55 x 55 mm



Izerwaren  
Order  
numbers

- Stainless Steel Roses for marine locks
- Specify Finish:
- Satin stainless steel or
- Mirror Polished stainless steel



Lever # 12.1183; Rose # 12.1703

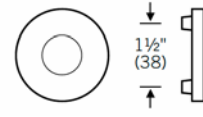


# 12.1723 # 12.173115 SET  
→ | 2 3/16" (55) | ← → | | ← 9/32" (7) |

12.173114 **Stainless steel rose, Passage set**  
55 mm diameter or 2 3/16 inch  
Clip on style with inner rose  
For Tubular latch & Levers  
Screws invisible



# 12.173114 Rose for tubular latch set  
55 mm diameter

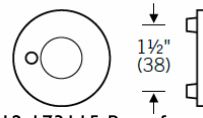


# 12.173114 Rose for tubular latch  
→ | 2 3/16" (55) | ← → | | ← 9/32" (7) |

12.173115 **Stainless steel rose, Privacy set**  
55 mm diameter or 2 3/16 inch  
Clip on style with inner rose  
For Tubular latch & Levers  
Screws invisible



# 12.173115 Rose for tubular privacy set  
55 mm diameter

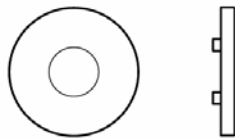


# 12.173115 Rose for tubular privacy latch  
55 mm diameter  
→ | 2 3/16" (55) | ← → | | ← 9/32" (7) |

12.179814 **Stainless steel rose, Passage set**  
65 mm diameter or 2 9/16 inch  
Clip on style with inner rose  
For Tubular latch & Levers  
Screws invisible



# 12.179814 Rose for tubular latch  
65 mm diameter

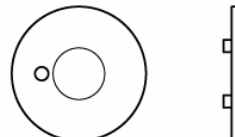


# 12.179814 Rose for tubular latch  
65 mm diameter  
→ | 2 9/16" (65) | ← → | | ← 9/32" (7) |

12.179815 **Stainless steel rose, Privacy set**  
65 mm diameter or 2 9/16 inch  
Clip on style with inner rose  
For Tubular latch & Levers  
Screws invisible



# 12.179815 Rose for tubular latch  
65 mm diameter

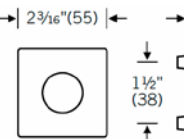


# 12.179815 Rose for tubular privacy latch  
65 mm diameter

12.1703 **Square Rose for Passage latch,**  
55 x 55 mm or 2 3/16 inch  
Clip on style with inner rose  
For Tubular latch and Levers  
Screws invisible



# 12.1703 Square rose for tubular latch  
55 x 55 mm

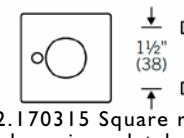


# 12.1703 Square rose for tubular latch  
55 x 55 mm  
→ | 2 3/16" (55) | ← → | | ← 9/32" (7.2) |

12.170315 **Square Rose for Privacy latch,**  
55 x 55 mm or 2 3/16 inch  
Clip on style with inner rose  
For Tubular latch and Levers  
Screws invisible



# 12.170315 Square rose for tubular  
privacy latch; 55 x 55 mm

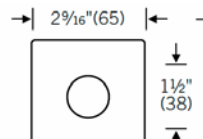


# 12.170315 Square rose for  
tubular privacy latch; 55 x 55 mm

12.1705 **Square rose for passage latch,**  
65 x 65 mm or 2 9/16 inch  
Clip on style with inner rose  
For Tubular Latch and Levers  
Screws invisible



# 12.1705 Square rose  
for tubular latch ; 65 x 65 mm

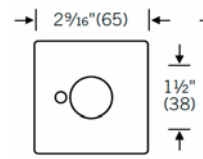


# 12.1705 Square rose for  
tubular latch 65 x 65 mm

12.170515 **Square rose for privacy set,**  
Thumb-turn with indicator with  
55 mm or 2 3/16 inch diameter roses  
Clip on style with inner rose  
Screws invisible



# 12.170515 Square rose  
for privacy latch; 65 x 65 mm



# 12.170515 Square rose for  
tubular latch 65 x 65 mm



Order number	Material	Back set	Specifics	Finish
<p>escutcheon plate entry model round holes square holes</p>				
#14.129.508	Stainless Steel		<p>Pair; one round holes, one square holes</p>	Satin stainless steel
#14.129.308	Stainless Steel		<p>Pair; one round holes, one square holes</p>	Polished stainless steel
#14.128.508	Stainless Steel		<p>Single; round holes</p>	Satin stainless steel
#14.127.508	Stainless Steel		<p>Single; square holes</p>	Satin stainless steel
<p>escutcheon plate privacy model round holes / square holes</p>				
#14.119.508	Stainless Steel		<p>Pair; one round holes, one square holes</p>	Satin stainless steel
#14.119.308	Stainless Steel		<p>Pair; one round holes, one square holes</p>	Polished stainless steel
#14.118.508	Stainless Steel		<p>Single; round holes With thumb-turn attached</p>	Satin stainless steel
#14.117.508	Stainless Steel		<p>Single; square holes With red/green indicator</p>	Satin stainless steel
#14.117.308	Stainless Steel		<p>Single; square holes With red/green indicator</p>	Polished stainless steel
#14.116.508	Stainless Steel		<p>Single; square holes With slotted indicator</p>	Satin stainless steel
#14.116.308	Stainless Steel		<p>Single; square holes With slotted indicator</p>	Polished stainless steel
			<p>#05.599 Profile cylinder covers, spring loaded.</p>	<p>#05.5991</p>
05.599.608	PC cover 3 mm	Stainless steel	<p>Overall sizes: 29 x 58 x 12 mm</p>	
05.5991.608	PC cover 8 mm	Stainless steel	<p>Overall sizes: 29 x 58 x 17 mm</p>	

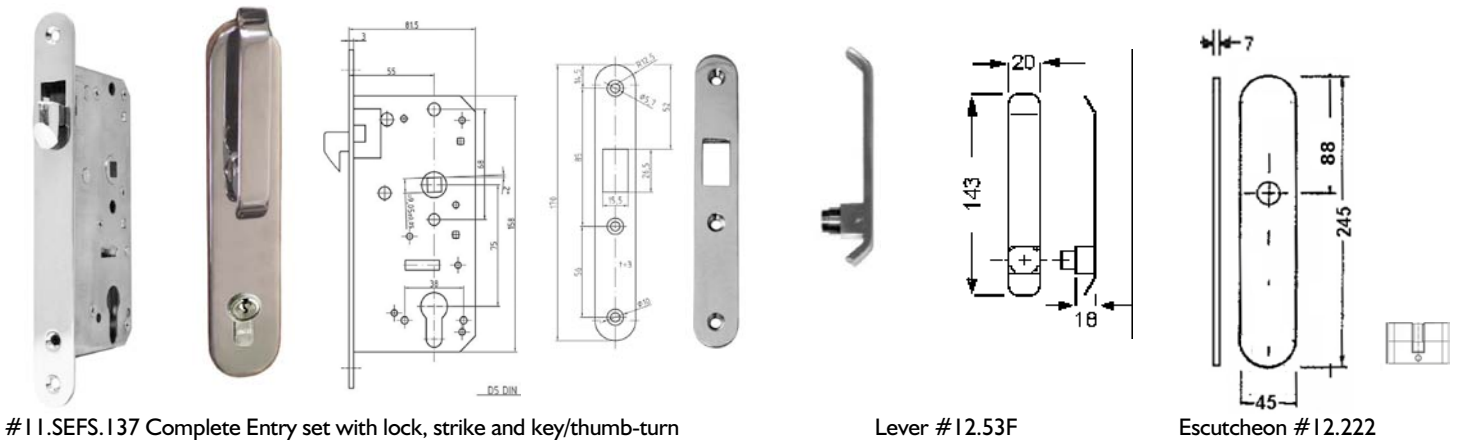
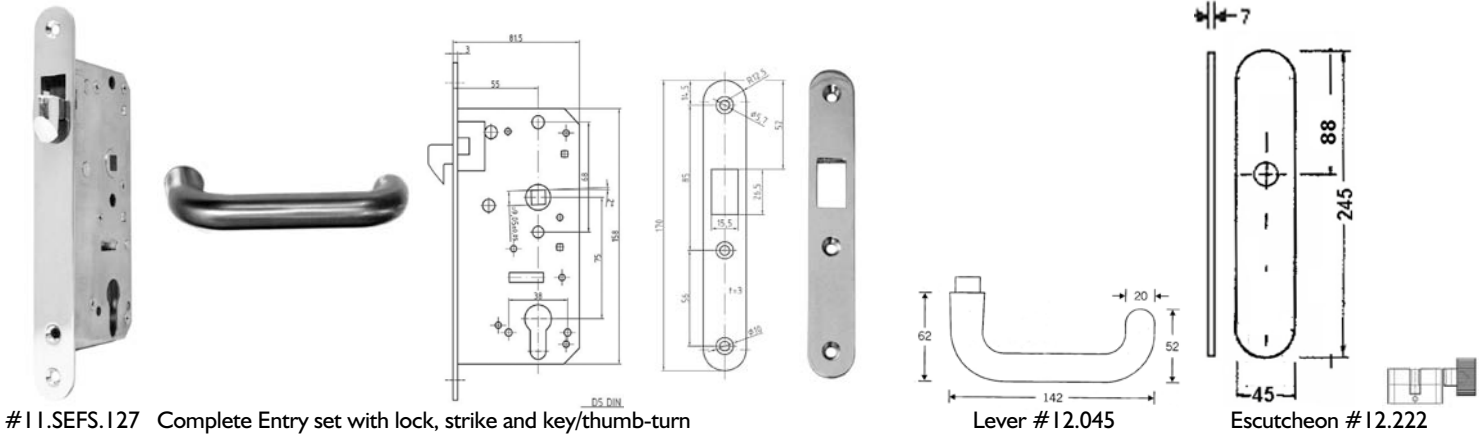
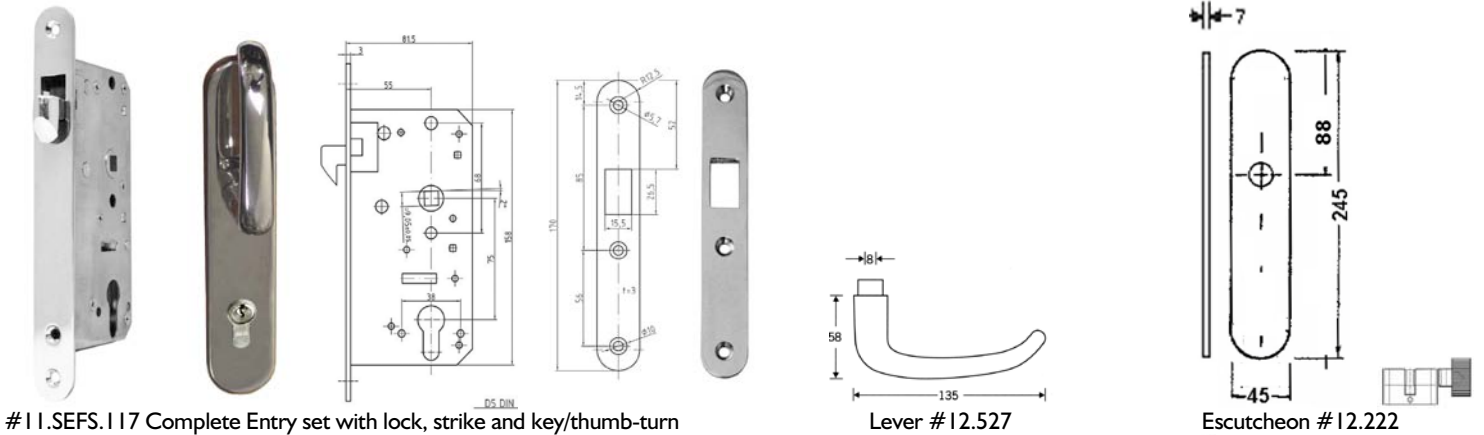




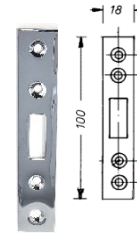
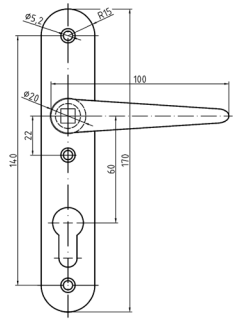
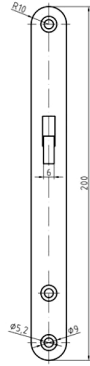
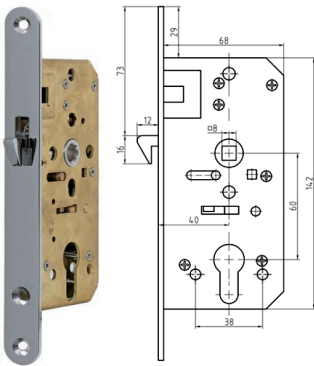
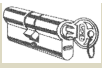
Order number	Material	Back set	Specifics	Finish
# 14.109.266	Brass		Pair; one w. round holes, One w. square holes	Polished chrome
# 14.109.508	Stainless Steel	55 mm	Pair; one w. round holes, One w. square holes	Satin stainless steel
# 14.109.308	Stainless Steel	55 mm	Pair; one w. round holes, One w. square holes	Polished stainless steel
# 14.108.508	Stainless Steel		Single; round holes	Satin stainless steel
# 14.107.508	Stainless Steel		Single; square holes	Satin stainless steel
			Thumb turn with 7 x 7 mm square stock for use with escutcheon #14.118.508	Through bolts, set, Stainless steel Indicate size For use with escutcheons
# 14.1TT	Thumb-turn		Single, 7 x 7 mm spindle	Satin chrome brass
# 14.139	Nylon		Bearing for escutcheon each	nylon
# 14.149	Through bolts		Set, male-female ,	Stainless steel
			lever set #14.999 #14.99A EXTENDED	
# 14.999.508	stainless steel		Lever handle set satin stainless steel	
# 14.999.308	stainless steel		Lever handle set polished stainless steel	
# 14.99A.508	stainless steel		Lever handle set satin stainless steel for rim locks	
# 14.99A.308	stainless steel		Lever handle set polished stainless steel for rim locks	
			lever set #14.310 with 8 x 8 mm or 9x9 mm square spindle	
# 14.3101	Chrome plated brass		Lever handle "sable" set polished chrome plated brass	
# 14.310	Brass		Lever handle "sable" brass polished	



S&B and GSV Marine Door Locks, with **UPGRADE** to Mirror Polished Stainless Steel Exterior Yacht Doors.  
Suitable for aluminum, wood, fiberglass and steel swinging and sliding doors. 55 mm backset



Type and size of the keyway (Profile Cylinder) is determined by door thickness; please specify door thickness when ordering. Page 0-5-1 and 0-5-2 are showing details on Profile Cylinders.

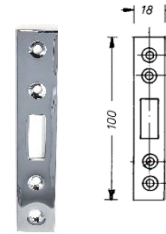
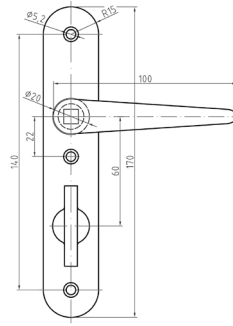
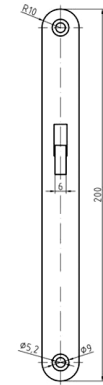
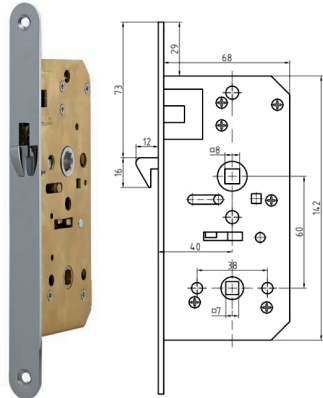


14.481 Entry sliding door lock 40 mm backset:  
14.581 Entry sliding door lock 50 mm backset:

16.59Z Trim set  
16.59Z Trim set

14.48S strike plate  
14.48S strike plate

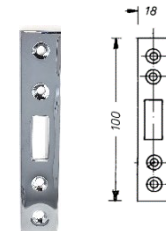
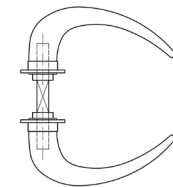
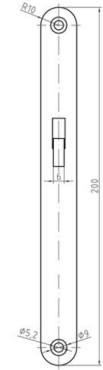
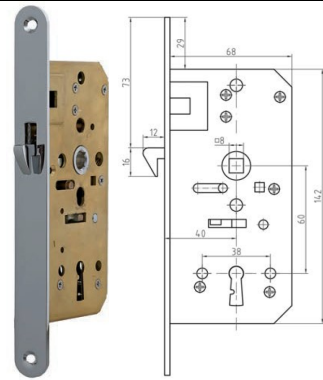
05.400 keyway  
05.400 keyway



14.471 Privacy lock 40 mm backset with trim  
14.571 Privacy lock 50 mm backset with trim

12.59W trim set for privacy lock  
12.59W trim set for privacy lock

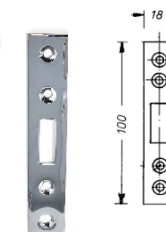
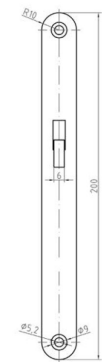
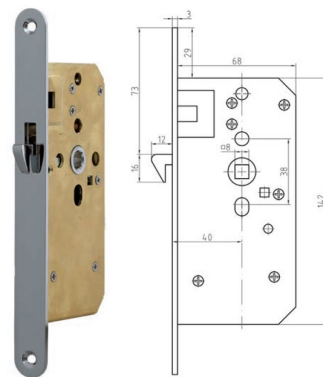
14.48S strike plate  
14.48S strike plate



14.491 Entry lock 40 mm backset with skeleton key and trim  
14.591 Entry lock 50 mm backset with skeleton key and trim

12.590 trim set  
12.590 trim set

14.48S strike plate.  
14.48S strike plate.



14.891 Passage latch sliding 40 mm backset with trim  
14.991 Passage latch sliding 50 mm backset with trim

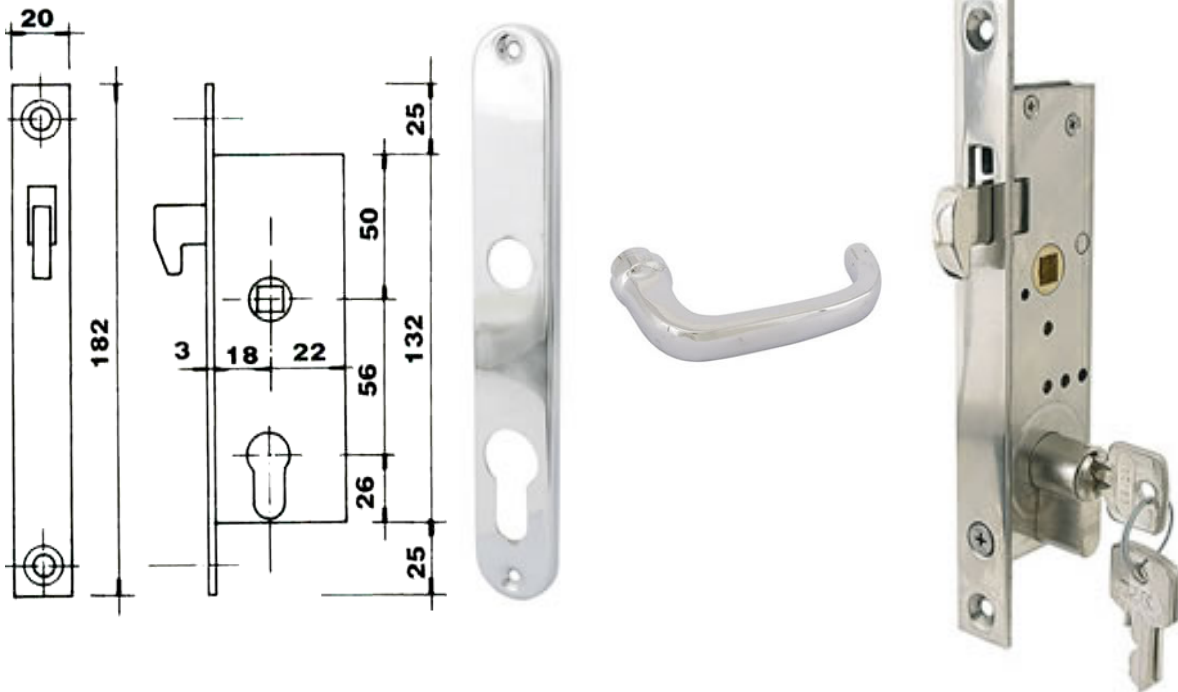
12.59F trim set for passage lock  
12.59F trim set for passage lock

14.48S strike plate.  
14.48S strike plate

For more lever trim sets: see Decorative Trim Section on Line



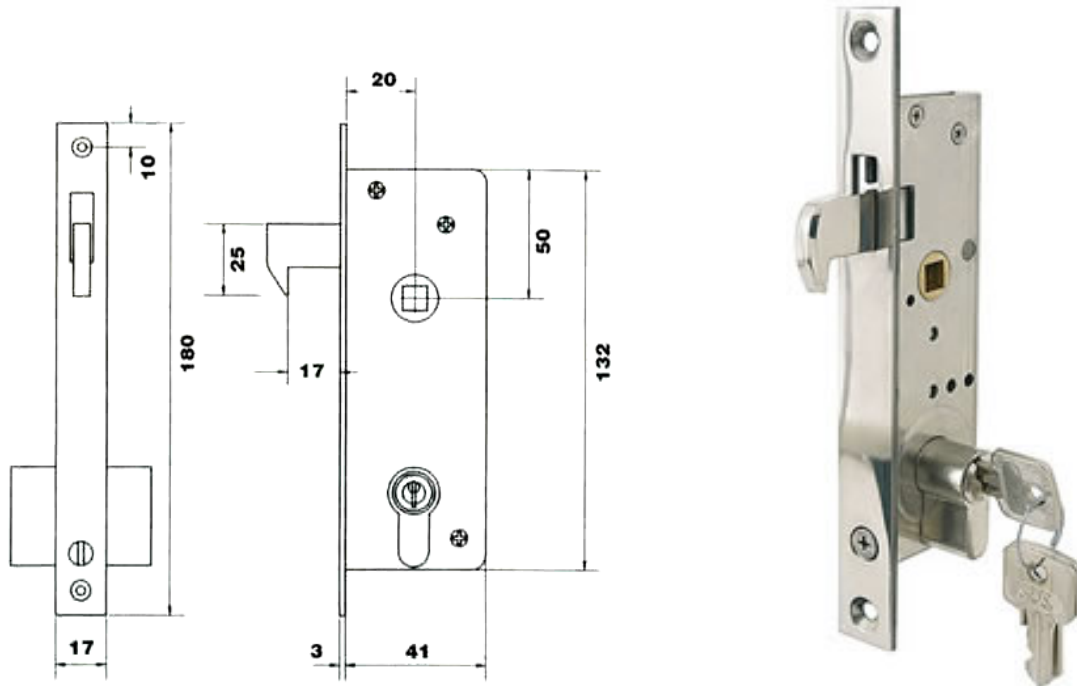
**“OC” Series Marine Lock replacements.**



**#16.2073 Entry Sliding Lock with Profile Cylinder Key 18 mm backset**  
Stainless Steel

**#16.2497 Escutcheon plate** 164 x 25 mm Brass Chrome plated

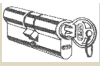
**#16.2962 Small Lever** 70 mm long Chrome plated Brass



**#16.2074 Entry Sliding Lock with Profile Cylinder Key 20 mm backset**  
**WITH 5/8 INCH EXTENDED HOOK BOLT!!!**  
Stainless Steel

Strike plates are included when purchasing a lock





Trim for 30 mm locksets (968 series) see page I-8



12.68W



12.68K



12.68Z



12.68F



12.969

Trim for 40 mm locksets (4040 series and I6.S04 series) see page I-6



#12.59Z



#12.59W



12.59F

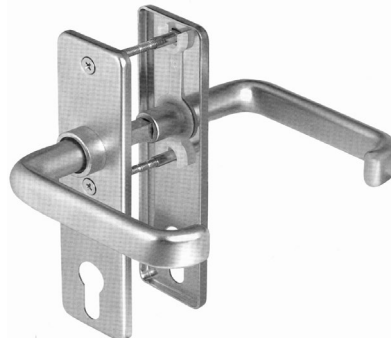


#18.740 + #16.924

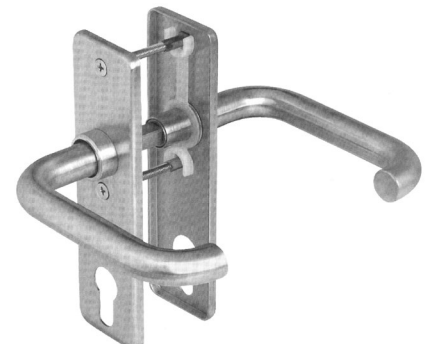
GSV and S&B Trim for 40, 50 and 55 mm locksets see page 1-4 and following



Classic Lever #14.310



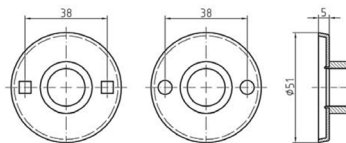
Lever handles #14.999  
Shown with Escutcheon Plates #14.129



Lever handle #14.610



#14.304 Lever roses, pair 51 mm pair; for levers 14.310; 14.999, 14.610



#14.60Z profile cylinder roses



#14.604 roses for bit keys



#14.40W Thumb-turn/indicator set

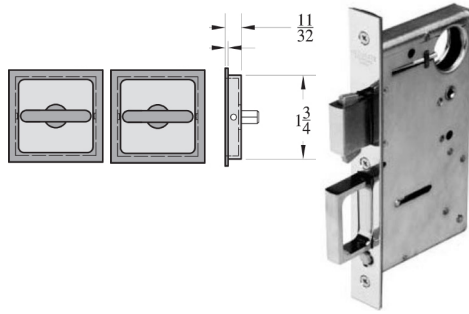


#10.9345Z Set: Entry lock 55 mm backset,  
with lever #14.310, roses #14.304.

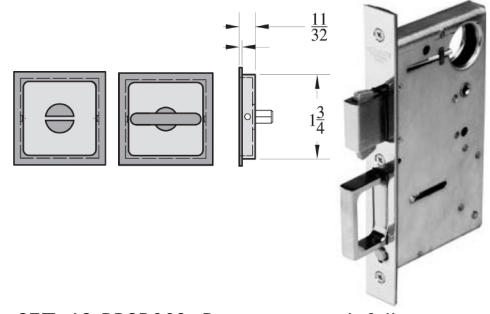




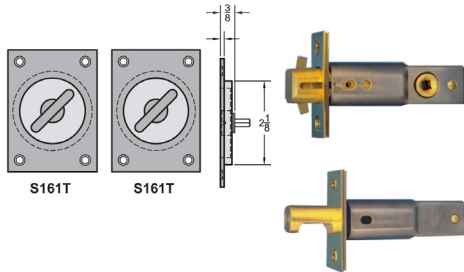
**Pocket door locks for door thickness 1 3/8". Steel parts. Interior Grade**



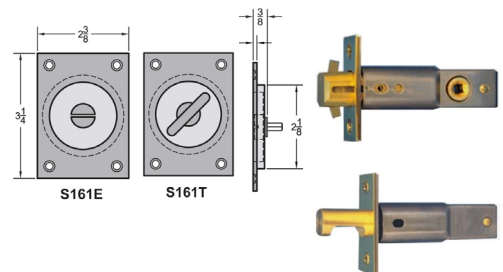
SET: 13.PASB002 Passage Pocket Door Latch Set. With full size mechanism and spring loaded edge pull ; Square flush escutcheon 2 x 2 inch with thumb-turns; **MINIMUM DOOR THICKNESS: 1 3/8"**



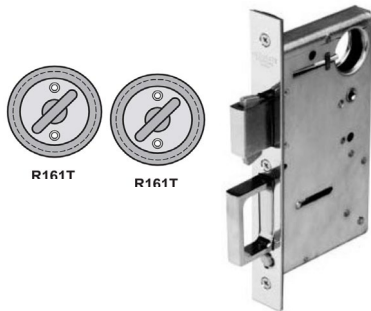
SET: 13.PRSB002 Privacy set with full mortise mechanism with spring loaded edge pull ; square flush pulls 2 x 2 inch; with thumb-turn/indicator **MINIMUM DOOR THICKNESS: 1 3/8"**



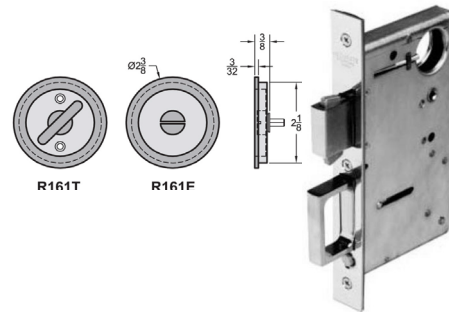
SET: 13.PAS161 Passage set with separate tubular mechanism and spring loaded edge pull ; Rectangular flush escutcheons with thumb-turns; **MINIMUM DOOR THICKNESS: 1 5/8" or 41 mm**



SET: 13.PRS161 Privacy set with separate tubular mechanism ; spring loaded edge pull ; flush escutcheons with thumb-turn and indicator; **MINIMUM DOOR THICKNESS: 1 5/8" or 41 mm**

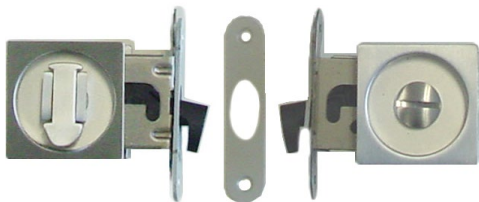


SET: 13.PAR161 Passage set with full mortise mechanism with spring loaded edge pull ; ROUND flush pull with thumb-turns; 2 3/8 inch diameter. **MINIMUM DOOR THICKNESS: 1 3/8"**



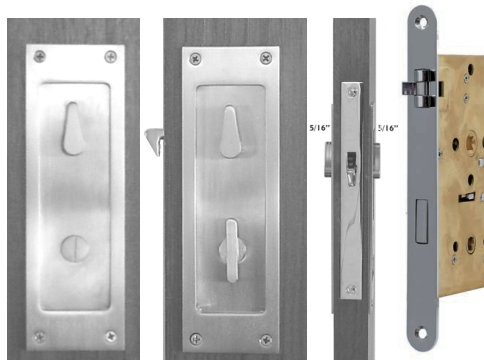
SET: 13.PRR161 Privacy set with separate tubular mechanism and spring loaded edge pull ; Round flush escutcheon with thumb-turn and indicator; **MINIMUM DOOR THICKNESS: 1 3/8"**

flush cups with turning lever / indicator

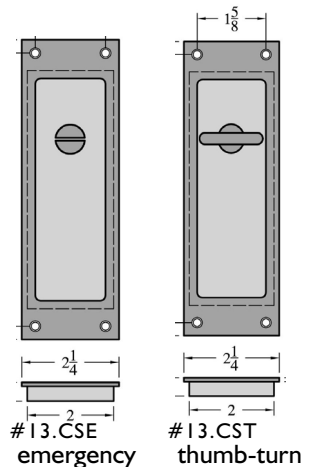


# 13.R95; Sliding Lock Set Privacy with Flap lever with mechanism: **MINIMUM DOOR THICKNESS: 1 1/2"**; size square cups: 2 1/6" x 2 1/16".

FOR DETAILS LOCK PARTS SEE PAGE 5-2-E



Flush lever set #13.CST with lock #16.S04W **MINIMUM DOOR THICKNESS: 1 1/4"** Lever extends 5/16" from surface on each side of door



#13.CSE emergency

#13.CST thumb-turn



**#14.NSS.008**

**Narrow Style Stainless Steel Sliding Entry Door Lock with 18 mm (3/4 inch) Backset**

**Lock case 40 mm wide (1 9/16 inch).**





Complete set stainless steel sliding door lock

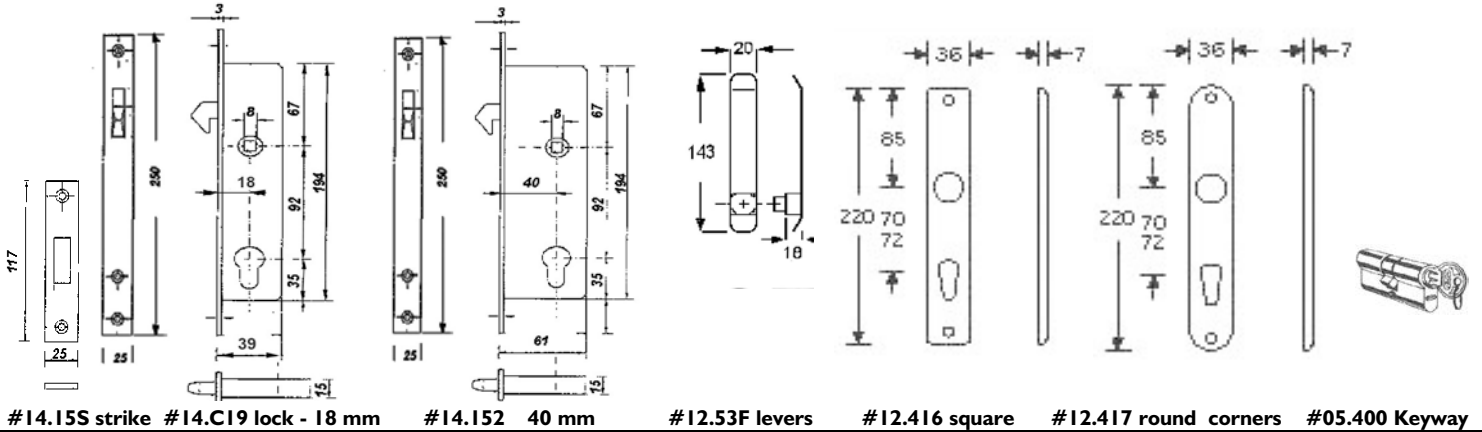


#14.NFS.008 -with 18 mm or 3/4" backset.  
with semi flush levers, protruding 27 mm from the surface of the door.

Complete set stainless steel sliding door lock



#14.NFS.009 with 40 mm ~ 1 9/16" backset  
with semi flush levers, protruding 27 mm from the surface of the door



Stainless steel sliding door lock with levers and escutcheons.

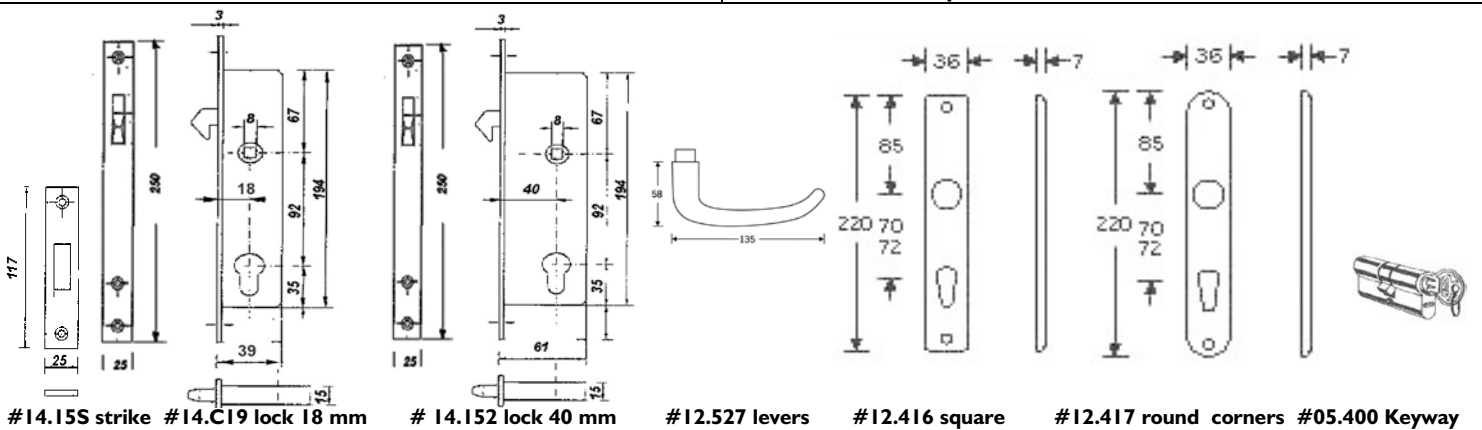


#14.NSS.008 Complete set with 18 mm or 3/4" backset.

Stainless steel sliding door lock with levers and escutcheons.



#14.NSS.009 Complete set. 40 mm ~ 1 9/16" backset





**#14.NSS.009**

**Stainless Steel Narrow Backset Entry Sliding Door Lock 40 mm (1 9/16 inch) backset**

**Lockcase is wide 61 mm (2 3/8 inch)**



Complete set stainless steel sliding door lock

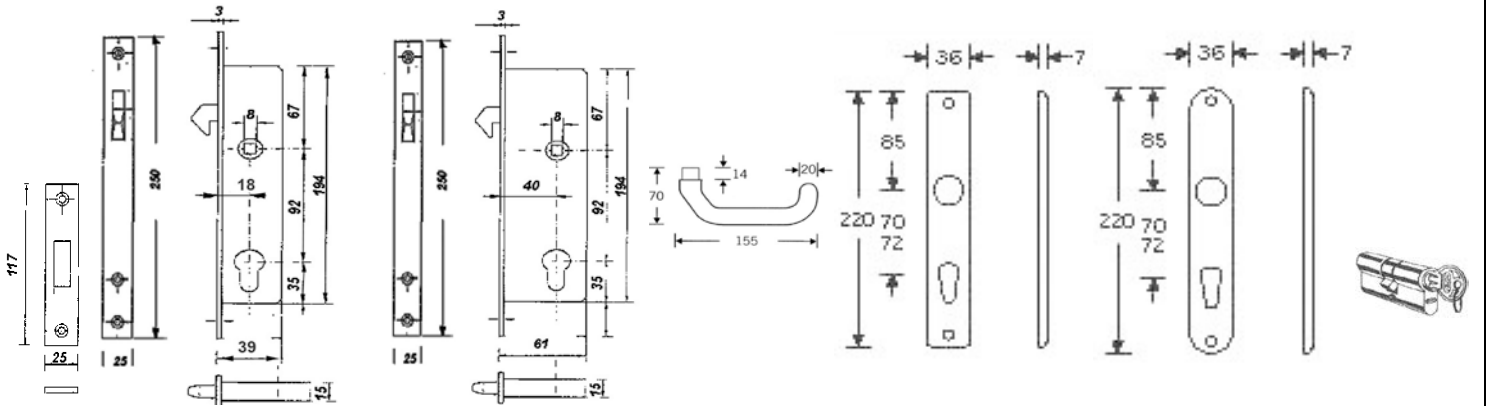


#14.NCFS.008 -with 18 mm or 3/4" backset with cropped levers

Complete set stainless steel sliding door lock



#14.NCFS.009 with 40 mm ~ 1 9/16" backset backset with cropped levers



#14.15S strike #14.C19 lock - 18 mm #14.152 40 mm #12.021 levers #12.416 square #12.417 round corners #05.400 Keyway

Complete set stainless steel sliding door lock

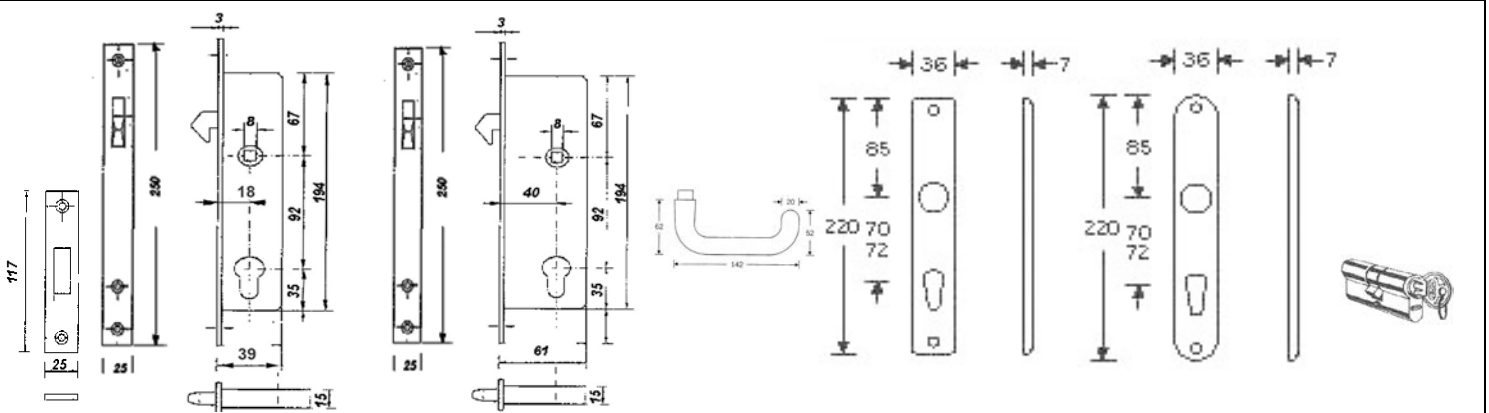


#14.NUFS.008 -with 18 mm or 3/4" backset with U shape levers

Complete set stainless steel sliding door lock



#14.NUFS.009 with 40 mm ~ 1 9/16" backset backset with U shape levers



#14.15S strike #14.C19 lock - 18 mm #14.152 40 mm #12.045 levers #12.416 square #12.417 round corners #05.400 Keyway